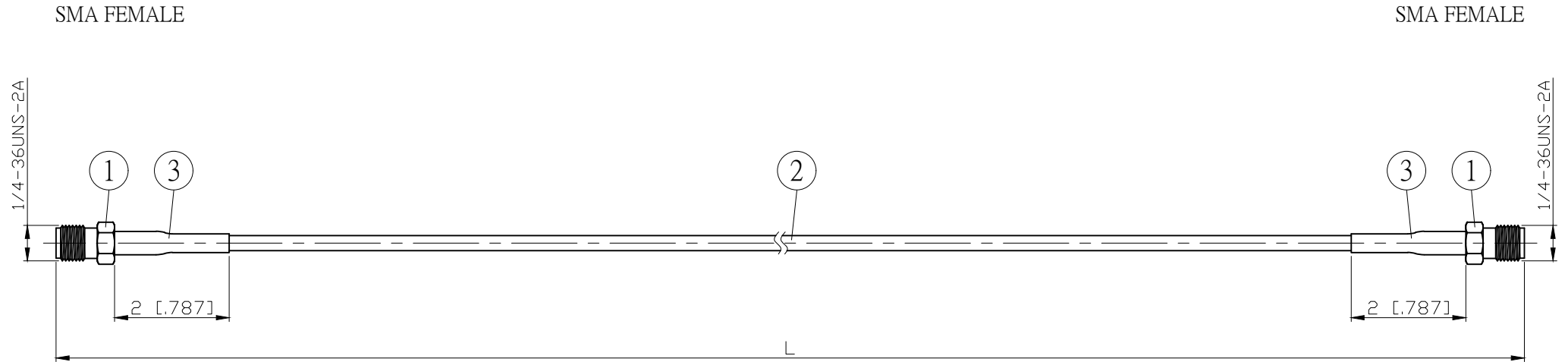


NO.	COMPONENTS	IMPEDANCE
1	SMA FEMALE	50 OHM
2	5002	50 OHM
3	HEAT SHRINKING TUBE	

REVISION			
REV.	DESCRIPTON	DATE	APPROVED
-	INITIAL RELEASE	2021/04/15	



L CM (INCH)	L1 M (MM)
50 (19.685)	0.489 (488.5)
100 (39.370)	0.989 (988.5)
150 (59.055)	1.489 (1488.5)
200 (78.740)	1.989 (1988.5)
Custom length in CM	- - -

Spec	Phase stability vs bending <sup>(1)</sup>	Amplitude stability vs bending <sup>(2)</sup>	Max VSWR	Max IL	Flexure life cycle <sup>(3)</sup>
3GHz	±0.3° typ / ±0.5° max	±0.005dB typ / ±0.01dB max	1.20 : 1	≤ (0.0128dB/cm*Lcm)+0.15dB	≥ 10000
6GHz	±0.5° typ / ±0.75° max	±0.0075dB typ / ±0.015dB max	1.25 : 1	≤ (0.0189dB/cm*Lcm)+0.20dB	
12.4GHz	±0.75° typ / ±1.0° max	±0.010dB typ / ±0.02dB max	1.30 : 1	≤ (0.0293dB/cm*Lcm)+0.25dB	
18GHz	±1.0° typ / ±1.5° max	±0.015dB typ / ±0.03dB max	1.30 : 1	≤ (0.0361dB/cm*Lcm)+0.30dB	

Notes:

- Operating Temp.: -55°C / +125°C
- Static bend radius 5.1mm
- Dynamic bend radius 30mm
- RoHS Compliant

- Per IEC 60966-1, section 8.6, method 1
- Per IEC 60966-1, section 8.4
- Per IEC 60966-1, section 9.3

3	G5(F)-4.0MM-BLACK	TUBE	0.04	M	LENGTH TOLERANCE IS ±1.5% OR ±10MM, WHICHEVER IS GREATER.	STANDARD	REV -	UNIT CM(INCH)	<b>JYE BAO CO., LTD.</b> TAIPEI TAIWAN	
	2	5002	CABLE	SEE TABLE L1		M	APPROVED	DATE		DESCRIPTION CABLE ASSEMBLY SMA JACK TO SMA JACK
	1	SMA8300-0405	SMA JACK	2		EA	CHECKED	DATE		JYE BAO DRAWING NO.
	NO.	PARTS NO.	DESCRIPTION	Q'TY		U/M	DRAWING <i>Albert</i>	DATE		A80A80-52L-18GXXX