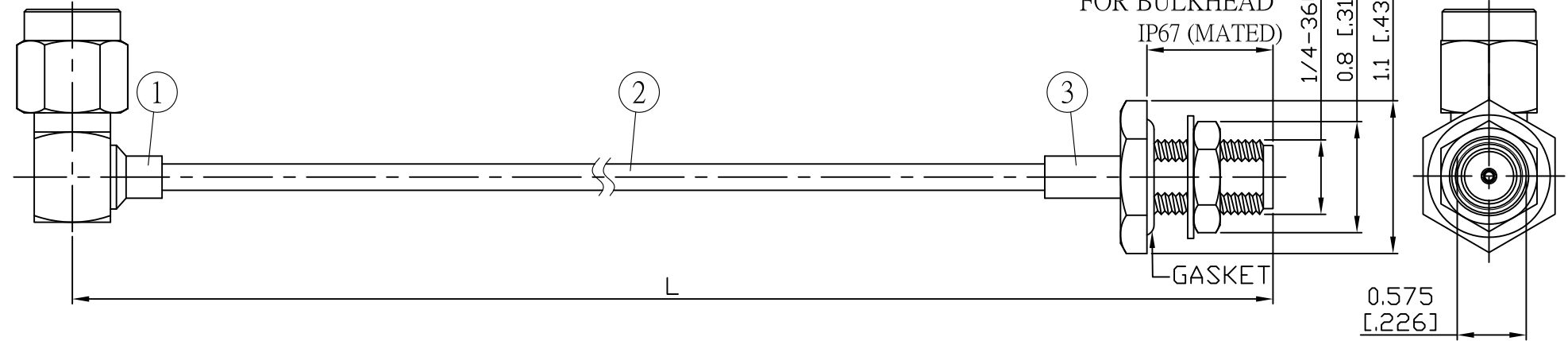


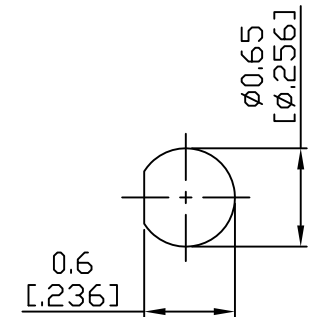
NO.	COMPONENTS	IMPEDANCE
1	SMA REVERSE POLARITY MALE RIGHT ANGLE	50 OHM
2	.085" TIN PLATED SEMI-RIGID CABLE (TIN PLATED RG405)	50 OHM
3	SMA FEMALE FOR BULKHEAD	50 OHM

REVISION			
REV.	DESCRIPTION	DATE	APPROVED
-	INITIAL RELEASE	2012/08/15	
A	修正SMA螺紋規格	2013/10/01	

SMA R/P MALE
RIGHT ANGLE



JYE BAO P/N	L CM (INCH)	L1 FT (MM)
A69A85-85T-15	15 (5.906)	0.476 (145.0)
A69A85-85T-30	30 (11.811)	0.968 (295.0)
A69A85-85T-50	50 (19.685)	1.624 (495.0)
A69A85-85T-100	100 (39.370)	3.264 (995.0)
A69A85-85T-150	150 (59.055)	4.905 (1495.0)
A69A85-85T-200	200 (78.740)	6.545 (1995.0)
A69A85-85T-XXX	CUSTOM LENGTH IN CM	- - -



MOUNTING HOLE

LENGTH TOLERANCE IS $\pm 1.5\%$ OR $\pm 10\text{MM}$, WHICHEVER IS GREATER.				STANDARD	REV A	UNIT CM(INCH)	JYE BAO CO., LTD. TAIPEI TAIWAN	
				APPROVED				DATE
				CHECKED				DATE
				DRAWING Albert				DATE
3	SMA8305-0085	SMA JACK	1	EA	DESCRIPTION CABLE ASSEMBLY SMA R/P PLUG R/A TO SMA JACK FOR BULKHEAD			
2	.085TIN-W-P-50	CABLE	L1 (SEE TABLE)	FT	JYE BAO DRAWING NO. A69A85-85T-XXX			
1	SMA6300-9085	SMA R/P PLUG R/A	1	EA				
NO.	PARTS NO.	DESCRIPTION	Q'TY	U/M				