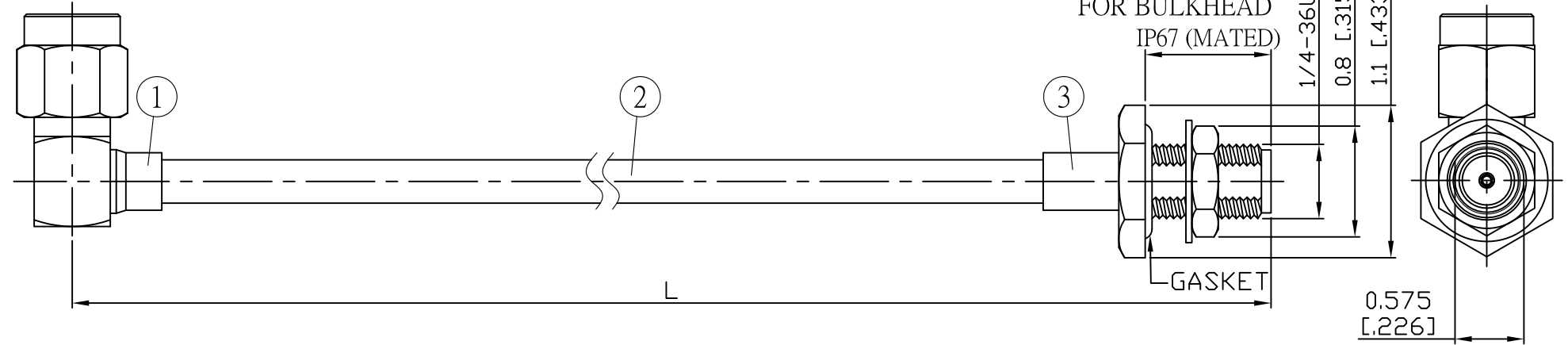


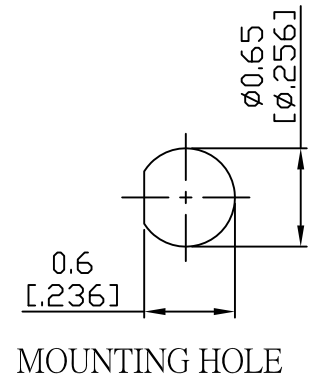
| NO. | COMPONENTS | IMPEDANCE |
|-----|--|-----------|
| 1 | SMA REVERSE POLARITY MALE RIGHT ANGLE | 50 OHM |
| 2 | .141" HANDBENDABLE CABLE (= JYEBAO P/N .141SRF-W-P-50) | 50 OHM |
| 3 | SMA FEMALE FOR BULKHEAD | 50 OHM |

| REVISION | | | |
|----------|-----------------|------------|----------|
| REV. | DESCRIPTION | DATE | APPROVED |
| - | INITIAL RELEASE | 2012/08/15 | |
| A | 修正SMA螺紋規格 | 2013/10/01 | |

SMA R/P MALE
RIGHT ANGLE



| JYE BAO P/N | L CM (INCH) | L1 FT (MM) |
|-----------------|------------------------|----------------|
| A69A85-141S-15 | 15 (5.906) | 0.476 (145.0) |
| A69A85-141S-30 | 30 (11.811) | 0.968 (295.0) |
| A69A85-141S-50 | 50 (19.685) | 1.624 (495.0) |
| A69A85-141S-100 | 100 (39.370) | 3.264 (995.0) |
| A69A85-141S-150 | 150 (59.055) | 4.905 (1495.0) |
| A69A85-141S-200 | 200 (78.740) | 6.545 (1995.0) |
| A69A85-141S-XXX | CUSTOM LENGTH IN CM | - - - |



| | | | | | STANDARD | REV A | UNIT CM(INCH) | JYE BAO CO., LTD. | | |
|---|-----------|-------------|------|-----|----------|----------|------------------|--------------------------|--|--|
| LENGTH TOLERANCE IS ±1.5% OR ±10MM, WHICHEVER IS GREATER. | | | | | APPROVED | | | TAIPEI TAIWAN | | |
| | | | | | CHECKED | | | DESCRIPTION | CABLE ASSEMBLY SMA R/P PLUG R/A TO SMA JACK FOR BULKHEAD | |
| | | | | | DRAWING | Albert | | JYE BAO DRAWING NO. | A69A85-141S-XXX | |
| NO. | PARTS NO. | DESCRIPTION | Q'TY | U/M | | | | | | |