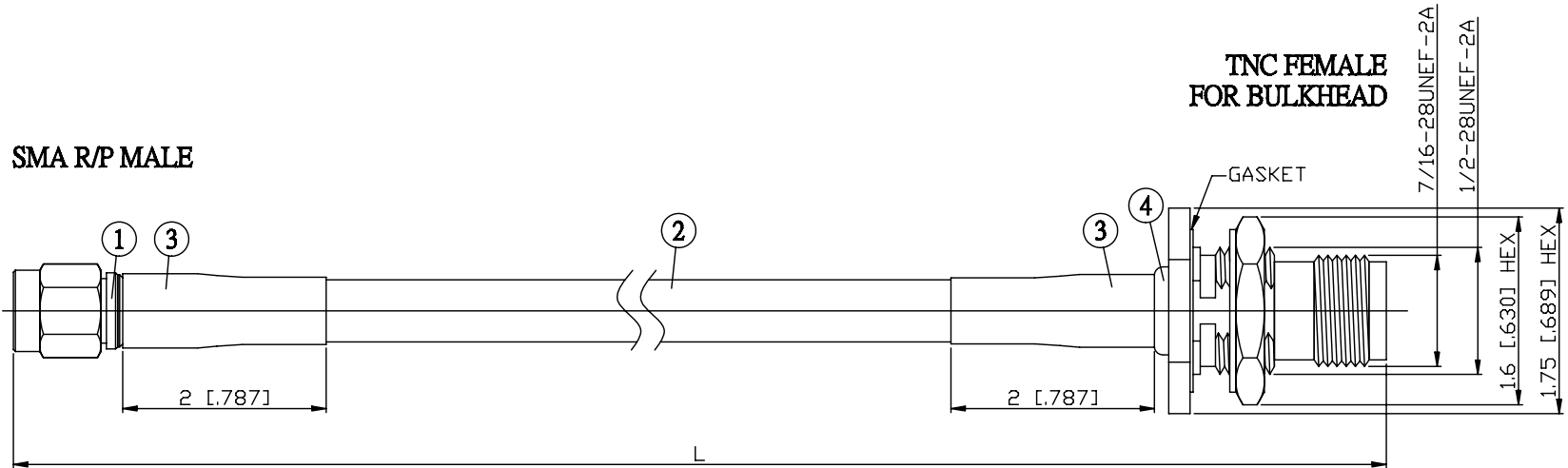
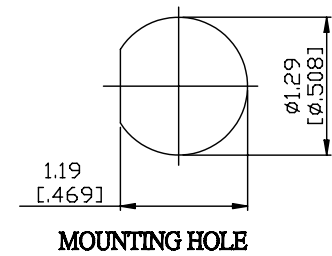


NO.	COMPONENTS	IMPEDANCE
1	SMA REVERSE POLARITY MALE	50 OHM
2	JBYP240	50 OHM
3	HEAT SHRINKING TUBE	
4	TNC FEMALE FOR BULKHEAD	50 OHM



JYE BAO P/N	L CM (INCH)
A60T85-L240-15	15 (5.906)
A60T85-L240-30	30 (11.811)
A60T85-L240-50	50 (19.685)
A60T85-L240-100	100 (39.370)
A60T85-L240-150	150 (59.055)
A60T85-L240-200	200 (78.740)
A60T85-L240-XXX	CUSTOM LENGTH IN CM



<b>LENGTH TOLERANCE IS <math>\pm 1.5\%</math> OR <math>\pm 10\text{MM}</math>, WHICHEVER IS GREATER.</b>	<b>JYE BAO CO., LTD.</b> TAIPEI TAIWAN
	<b>DESCRIPTION</b> CABLE ASSEMBLY SMA R/P PLUG TO TNC JACK FOR BULKHEAD
	<b>JYE BAO DRAWING NO.</b> A60T85-L240-XXX