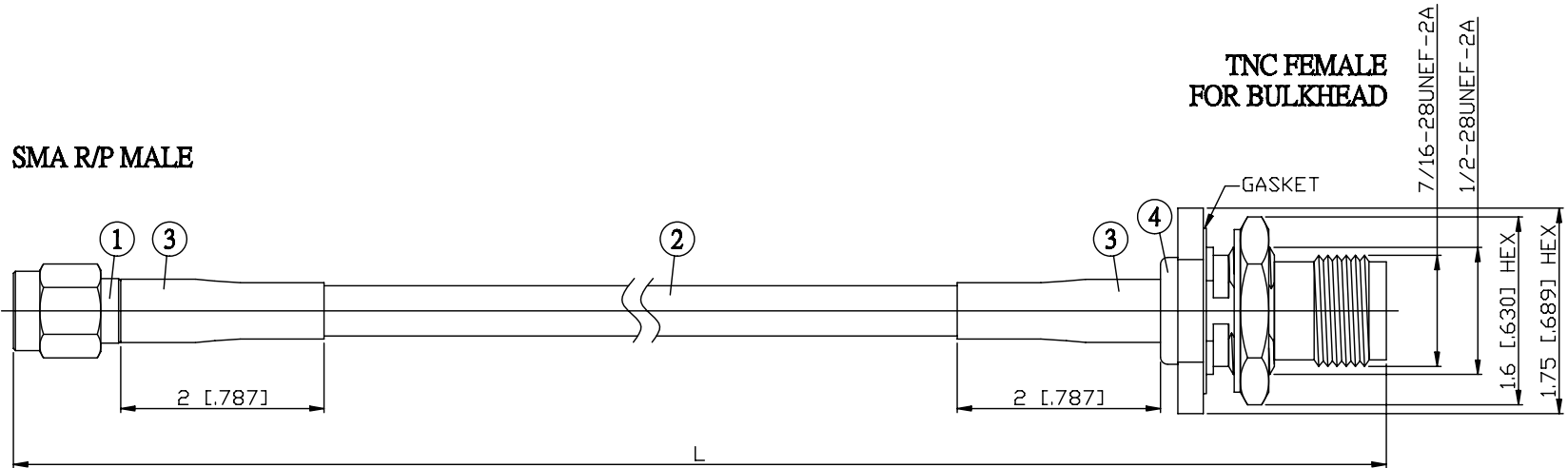
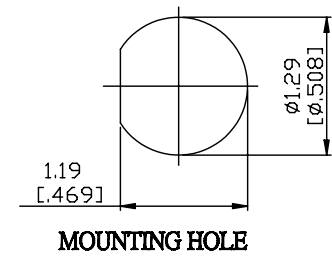


NO.	COMPONENTS	IMPEDANCE
1	SMA REVERSE POLARITY MALE	50 OHM
2	RG142	50 OHM
3	HEAT SHRINKING TUBE	
4	TNC FEMALE FOR BULKHEAD	50 OHM



JYE BAO P/N	L CM (INCH)
A60T85-142-15	15 (5.906)
A60T85-142-30	30 (11.811)
A60T85-142-50	50 (19.685)
A60T85-142-100	100 (39.370)
A60T85-142-150	150 (59.055)
A60T85-142-200	200 (78.740)
A60T85-142-XXX	CUSTOM LENGTH IN CM



CM(INCH) LENGTH TOLERANCE IS ±1.5% OR ±10MM, WHICHEVER IS GREATER.	<b>JYE BAO CO., LTD.</b> TAIPEI TAIWAN
	DESCRIPTION CABLE ASSEMBLY SMA R/P PLUG TO TNC JACK FOR BULKHEAD
	JYE BAO DRAWING NO. A60T85-142-XXX