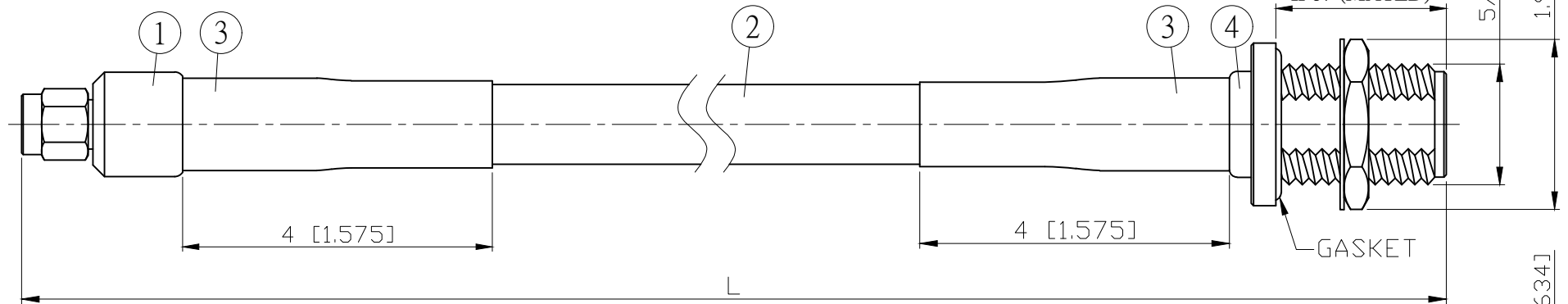


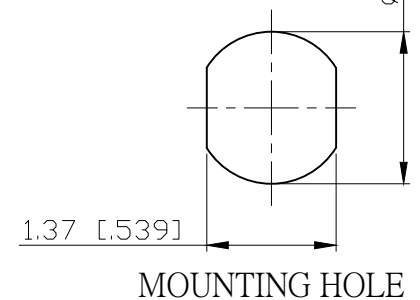
NO.	COMPONENTS	IMPEDANCE
1	SMA REVERSE POLARITY MALE	50 OHM
2	JBY400	50 OHM
3	HEAT SHRINKING TUBE	
4	N FEMALE FOR BULKHEAD	50 OHM

REVISION			
REV.	DESCRIPTION	DATE	APPROVED
-	INITIAL RELEASE	2011/03/15	

SMA R/P MALE



JYE BAO P/N	L CM (INCH)	L1 FT (MM)
A60N85-L400-15	15 (5.906)	0.385 (117.5)
A60N85-L400-30	30 (11.811)	0.878 (267.5)
A60N85-L400-50	50 (19.685)	1.534 (467.5)
A60N85-L400-100	100 (39.370)	3.174 (967.5)
A60N85-L400-150	150 (59.055)	4.815 (1467.5)
A60N85-L400-200	200 (78.740)	6.455 (1967.5)
A60N85-L400-XXX	CUSTOM LENGTH IN CM	- - -



4	N8105-L400	N JACK	1	EA
3	G5(F)-20MM-BLACK	TUBE	0.08	M
2	JBY400	CABLE	L1 (SEE TABLE)	FT
1	SMA6100-L400	SMA R/P PLUG	1	EA
NO.	PARTS NO.	DESCRIPTION	QTY	U/M

LENGTH TOLERANCE IS ±1.5% OR ±10MM, WHICHEVER IS GREATER.	STANDARD	REV -	UNIT CM(INCH)
	APPROVED		DATE
	CHECKED		DATE
	DRAWING Albert		DATE

JYE BAO CO., LTD.	
TAIPEI TAIWAN	
DESCRIPTION	CABLE ASSEMBLY SMA R/P PLUG TO N FEMALE FOR BULKHEAD
JYE BAO DRAWING NO.	A60N85-L400-XXX