

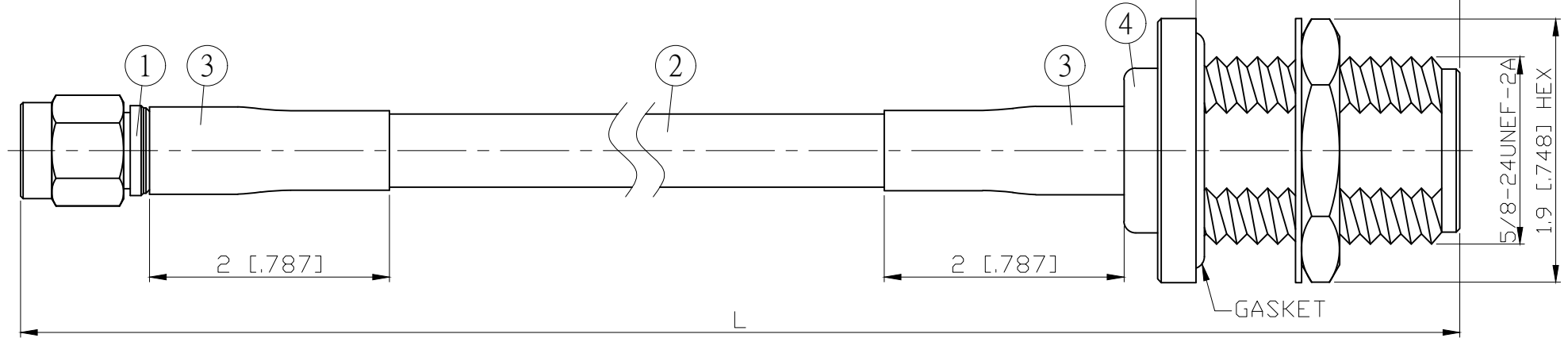
NO.	COMPONENTS	IMPEDANCE
1	SMA REVERSE POLARITY MALE	50 OHM
2	JBY240	50 OHM
3	HEAT SHRINKING TUBE	
4	N FEMALE FOR BULKHEAD	50 OHM

REVISION			
REV.	DESCRIPTON	DATE	APPROVED
-	INITIAL RELEASE	2011/03/15	

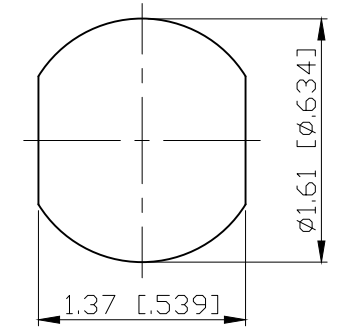
SMA R/P MALE

N FEMALE FOR BULKHEAD

IP67 (MATED)



JYE BAO P/N	L CM (INCH)	L1 FT (MM)
A60N85-L240-15	15 (5.906)	0.399 (121.5)
A60N85-L240-30	30 (11.811)	0.891 (271.5)
A60N85-L240-50	50 (19.685)	1.547 (471.5)
A60N85-L240-100	100 (39.370)	3.187 (971.5)
A60N85-L240-150	150 (59.055)	4.828 (1471.5)
A60N85-L240-200	200 (78.740)	6.468 (1971.5)
A60N85-L240-XXX	CUSTOM LENGTH IN CM	- - -



MOUNTING HOLE

4	N8105-L240	N JACK	1	EA
3	G5(F)-8.0MM-BLACK	TUBE	0.04	M
2	JBY240	CABLE	L1 (SEE TABLE)	FT
1	SMA6100-L240	SMA R/P PLUG	1	EA
NO.	PARTS NO.	DESCRIPTION	QTY	UM

DIMENSION ARE MILLIMETERS  
UNLESS OTHERWISE SPECIFIED  
TOLERANCES ( UNIT: MM )

LENGTH TOLERANCE  
IS  $\pm 1.5\%$  OR  $\pm 10\text{MM}$ ,  
WHICHEVER IS  
GREATER.

STANDARD	REV	UNIT CM(INCH)
	-	
APPROVED		DATE
CHECKED		DATE
DRAWING	Albert	DATE

**JYE BAO CO., LTD.**

TAIPEI TAIWAN

DESCRIPTION CABLE ASSEMBLY SMA R/P PLUG  
TO N JACK FOR BULKHEAD

JYE BAO DRAWING NO.  
A60N85-L240-XXX