

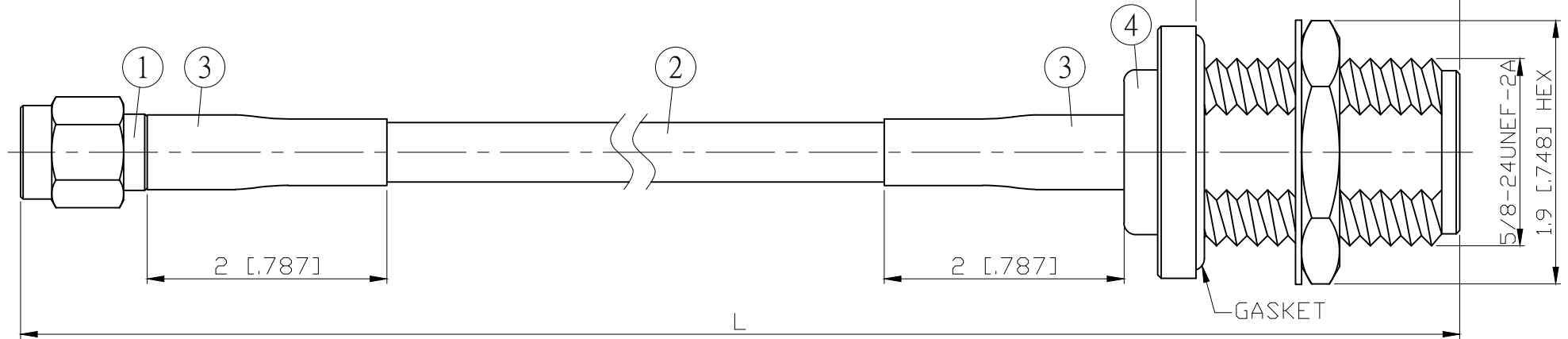
NO.	COMPONENTS	IMPEDANCE
1	SMA REVERSE POLARITY MALE	50 OHM
2	JBY195	50 OHM
3	HEAT SHRINKING TUBE	
4	N FEMALE FOR BULKHEAD	50 OHM

REVISION			
REV.	DESCRIPTON	DATE	APPROVED
-	INITIAL RELEASE	2011/03/15	

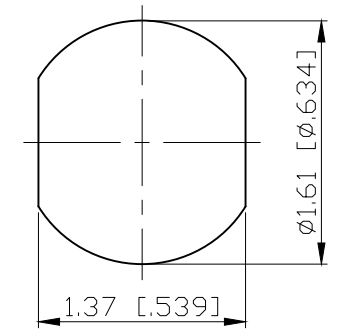
SMA R/P MALE

N FEMALE FOR BULKHEAD

IP67 (MATED)



JYE BAO P/N	L CM (INCH)	L1 FT (MM)
A60N85-L195-15	15 (5.906)	0.404 (123.0)
A60N85-L195-30	30 (11.811)	0.896 (273.0)
A60N85-L195-50	50 (19.685)	1.552 (473.0)
A60N85-L195-100	100 (39.370)	3.192 (973.0)
A60N85-L195-150	150 (59.055)	4.833 (1473.0)
A60N85-L195-200	200 (78.740)	6.473 (1973.0)
A60N85-L195-XXX	CUSTOM LENGTH IN CM	- - -



MOUNTING HOLE

DIMENSION ARE MILLIMETERS UNLESS OTHERWISE SPECIFIED TOLERANCES ( UNIT: MM )					STANDARD	REV -	UNIT CM(INCH)	<b>JYE BAO CO., LTD.</b>	
4	N8105-0058	N JACK	1	EA	APPROVED			DATE	TAIPEI TAIWAN
3	G5(F)-8.0MM-BLACK	TUBE	0.04	M	CHECKED			DATE	DESCRIPTION CABLE ASSEMBLY SMA R/P PLUG TO N JACK FOR BULKHEAD
2	JBY195	CABLE	L1 (SEE TABLE)	FT	DRAWING			DATE	JYE BAO DRAWING NO.
1	SMA6100-0058	SMA R/P PLUG	1	EA	Albert			DATE	A60N85-L195-XXX
NO.	PARTS NO.	DESCRIPTION	QTY	UM	LENGTH TOLERANCE IS ±1.5% OR ±10MM, WHICHEVER IS GREATER.				