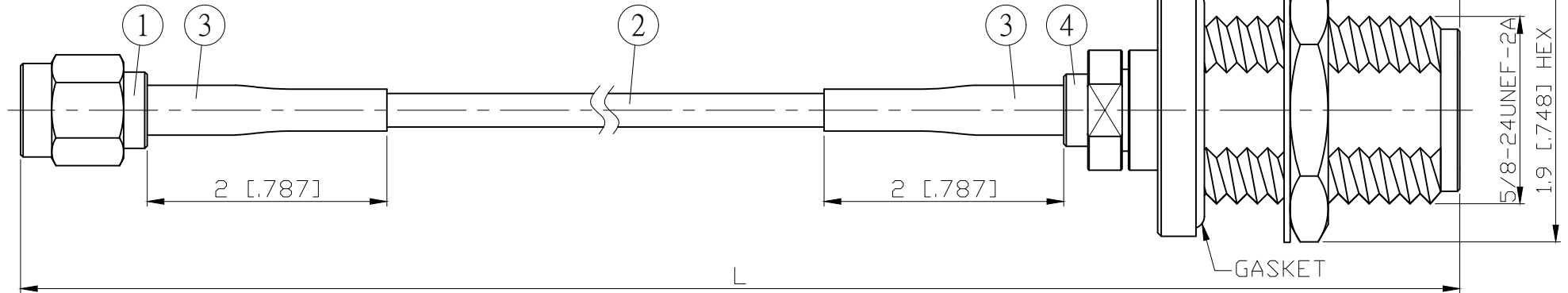


NO.	COMPONENTS	IMPEDANCE
1	SMA REVERSE POLARITY MALE	50 OHM
2	JBY100	50 OHM
3	HEAT SHRINKING TUBE	
4	N FEMALE FOR BULKHEAD	50 OHM

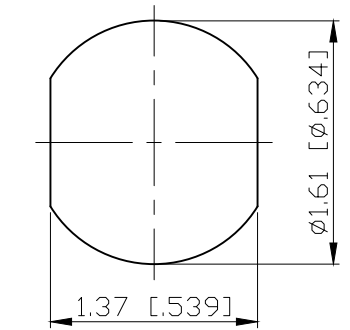
REVISION			
REV.	DESCRIPTION	DATE	APPROVED
-	INITIAL RELEASE	2011/03/15	

SMA R/P MALE

N FEMALE
FOR BULKHEAD
IP67 (MATED)



JYE BAO P/N	L CM (INCH)	L1 FT (MM)
A60N85-L100-15	15 (5.906)	0.412 (125.5)
A60N85-L100-30	30 (11.811)	0.904 (275.5)
A60N85-L100-50	50 (19.685)	1.560 (475.5)
A60N85-L100-100	100 (39.370)	3.200 (975.5)
A60N85-L100-150	150 (59.055)	4.841 (1475.5)
A60N85-L100-200	200 (78.740)	6.481 (1975.5)
A60N85-L100-XXX	CUSTOM LENGTH IN CM	- - -



MOUNTING HOLE

DIMENSION ARE MILLIMETERS UNLESS OTHERWISE SPECIFIED TOLERANCES (UNIT: MM)					STANDARD	REV -	UNIT CM(INCH)	JYE BAO CO., LTD.	
4	N8105P-L100	N JACK	1	EA	APPROVED			DATE	TAIPEI TAIWAN
3	G5(F)-4.0MM-BLACK	TUBE	0.04	M	CHECKED			DATE	DESCRIPTION CABLE ASSEMBLY SMA R/P PLUG TO N JACK FOR BULKHEAD
2	JBY100	CABLE	L1 (SEE TABLE)	FT	DRAWING			DATE	JYE BAO DRAWING NO.
1	SMA6100-L100	SMA R/P PLUG	1	EA	Albert			DATE	A60N85-L100-XXX
NO.	PARTS NO.	DESCRIPTION	QTY	U/M	LENGTH TOLERANCE IS ±1.5% OR ±10MM, WHICHEVER IS GREATER.				