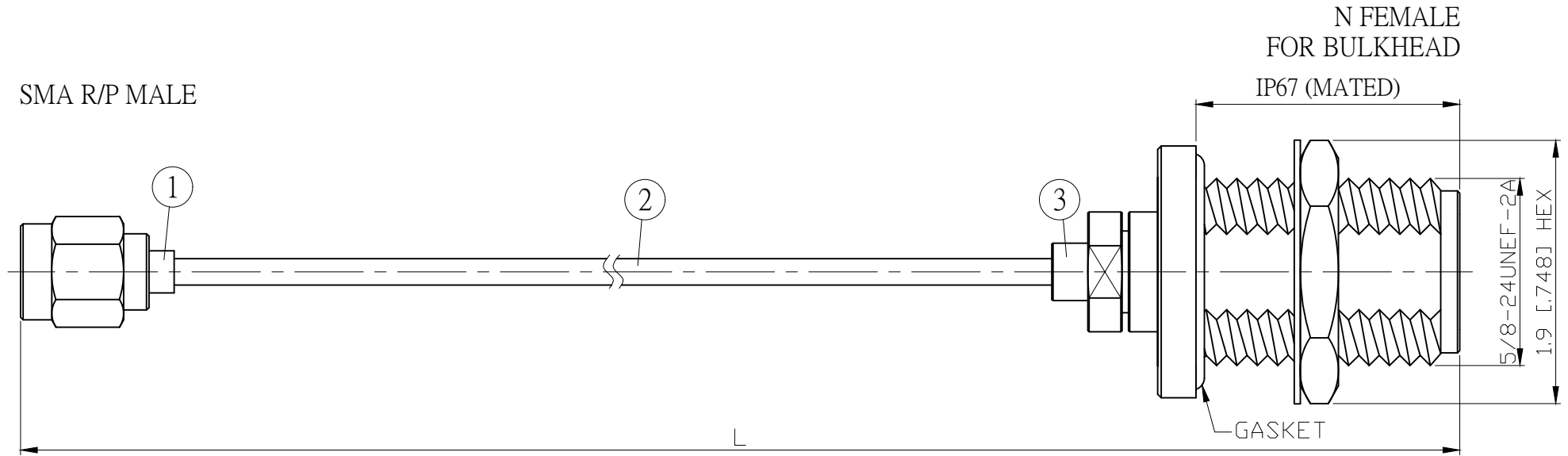
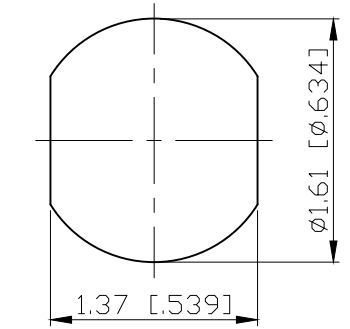


NO.	COMPONENTS	IMPEDANCE
1	SMA REVERSE POLARITY MALE	50 OHM
2	.085" TIN PLATED SEMI-RIGID CABLE (TIN PLATED RG405)	50 OHM
3	N FEMALE FOR BULKHEAD	50 OHM

REVISION			
REV.	DESCRIPTION	DATE	APPROVED
-	INITIAL RELEASE	2011/03/15	



JYE BAO P/N	L CM (INCH)	L1 FT (MM)
A60N85-85T-15	15 (5.906)	0.410 (125.0)
A60N85-85T-30	30 (11.811)	0.902 (275.0)
A60N85-85T-50	50 (19.685)	1.558 (475.0)
A60N85-85T-100	100 (39.370)	3.199 (975.0)
A60N85-85T-150	150 (59.055)	4.839 (1475.0)
A60N85-85T-200	200 (78.740)	6.480 (1975.0)
A60N85-85T-XXX	CUSTOM LENGTH IN CM	- - -



MOUNTING HOLE

DIMENSION ARE MILLIMETERS UNLESS OTHERWISE SPECIFIED TOLERANCES (UNIT: MM)					STANDARD	REV -	UNIT CM(INCH)	JYE BAO CO., LTD. TAIPEI TAIWAN	
LENGTH TOLERANCE IS ±1.5% OR ±10MM, WHICHEVER IS GREATER.									
3	N8305P-0085	N JACK	1	EA	Albert	-	CM(INCH)	DESCRIPTION	CABLE ASSEMBLY SMA R/P PLUG TO N JACK FOR BULKHEAD
2	.085TIN-W-P-50	CABLE	L1 (SEE TABLE)	FT				CHECKED	DATE
1	SMA6300-0085	SMA R/P PLUG	1	EA				DRAWING	DATE
NO.	PARTS NO.	DESCRIPTION	QTY	UM				JYE BAO DRAWING NO.	A60N85-85T-XXX