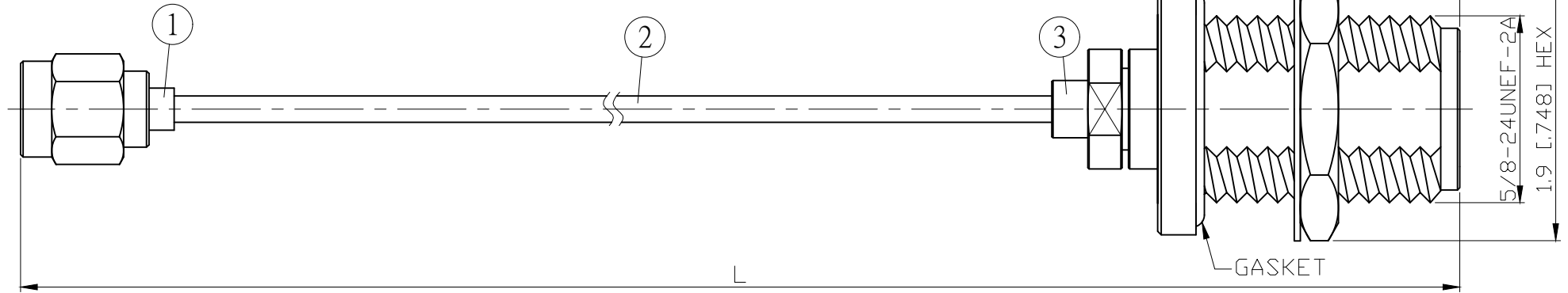


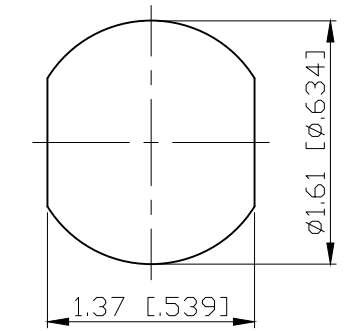
NO.	COMPONENTS	IMPEDANCE
1	SMA REVERSE POLARITY MALE	50 OHM
2	.085" HANDBENDABLE CABLE (= JYEBAO P/N .085SRF-W-P-50)	50 OHM
3	N FEMALE FOR BULKHEAD	50 OHM

REVISION			
REV.	DESCRIPTION	DATE	APPROVED
-	INITIAL RELEASE	2011/03/15	

SMA R/P MALE



JYE BAO P/N	L CM (INCH)	L1 FT (MM)
A60N85-85S-15	15 (5.906)	0.410 (125.0)
A60N85-85S-30	30 (11.811)	0.902 (275.0)
A60N85-85S-50	50 (19.685)	1.558 (475.0)
A60N85-85S-100	100 (39.370)	3.199 (975.0)
A60N85-85S-150	150 (59.055)	4.839 (1475.0)
A60N85-85S-200	200 (78.740)	6.480 (1975.0)
A60N85-85S-XXX	CUSTOM LENGTH IN CM	- - -



MOUNTING HOLE

DIMENSION ARE MILLIMETERS UNLESS OTHERWISE SPECIFIED TOLERANCES (UNIT: MM)					STANDARD	REV -	UNIT CM(INCH)	JYE BAO CO., LTD.	
3	N8305P-0085	N JACK	1	EA	APPROVED			DATE	TAIPEI TAIWAN
2	.085SRF-W-P-50	CABLE	L1 (SEE TABLE)	FT	CHECKED			DATE	DESCRIPTION CABLE ASSEMBLY SMA R/P PLUG TO N JACK FOR BULKHEAD
1	SMA6300-0085	SMA R/P PLUG	1	EA	DRAWING	Albert		DATE	JYE BAO DRAWING NO. A60N85-85S-XXX
NO.	PARTS NO.	DESCRIPTION	QTY	UM					

LENGTH TOLERANCE
IS ±1.5% OR ±10MM,
WHICHEVER IS
GREATER.