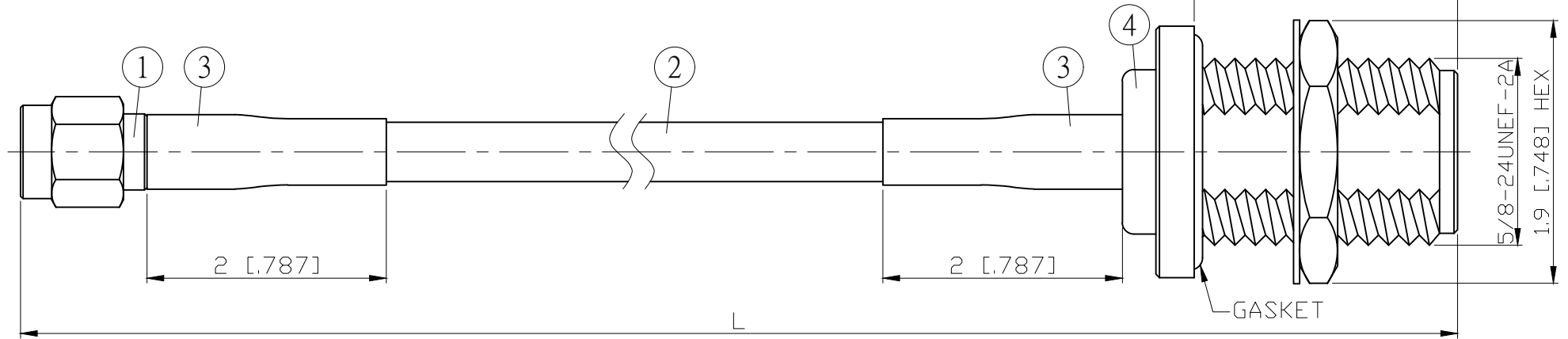


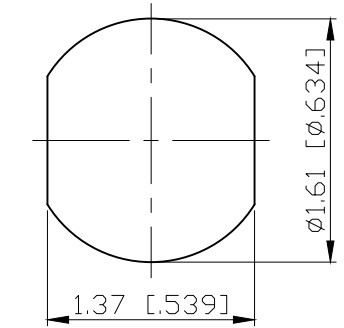
NO.	COMPONENTS	IMPEDANCE
1	SMA REVERSE POLARITY MALE	50 OHM
2	RG58	50 OHM
3	HEAT SHRINKING TUBE	
4	N FEMALE FOR BULKHEAD	50 OHM

REVISION			
REV.	DESCRIPTION	DATE	APPROVED
-	INITIAL RELEASE	2011/03/15	

SMA R/P MALE



JYE BAO P/N	L CM (INCH)	L1 FT (MM)
A60N85-58-15	15 (5.906)	0.404 (123.0)
A60N85-58-30	30 (11.811)	0.896 (273.0)
A60N85-58-50	50 (19.685)	1.552 (473.0)
A60N85-58-100	100 (39.370)	3.192 (973.0)
A60N85-58-150	150 (59.055)	4.833 (1473.0)
A60N85-58-200	200 (78.740)	6.473 (1973.0)
A60N85-58-XXX	CUSTOM LENGTH IN CM	- - -



MOUNTING HOLE

4	N8105-0058	N JACK	1	EA
3	G5(F)-8.0MM-BLACK	TUBE	0.04	M
2	RG58	CABLE	L1 (SEE TABLE)	FT
1	SMA6100-0058	SMA R/P PLUG	1	EA
NO.	PARTS NO.	DESCRIPTION	QTY	U/M

DIMENSION ARE MILLIMETERS
UNLESS OTHERWISE SPECIFIED
TOLERANCES (UNIT: MM)

LENGTH TOLERANCE
IS $\pm 1.5\%$ OR $\pm 10\text{MM}$,
WHICHEVER IS
GREATER.

STANDARD	REV	UNIT CM(INCH)
	-	
APPROVED		DATE
CHECKED		DATE
DRAWING Albert		DATE

JYE BAO CO., LTD.

TAIPEI TAIWAN

DESCRIPTION CABLE ASSEMBLY SMA R/P PLUG
TO N JACK FOR BULKHEAD

JYE BAO DRAWING NO.

A60N85-58-XXX