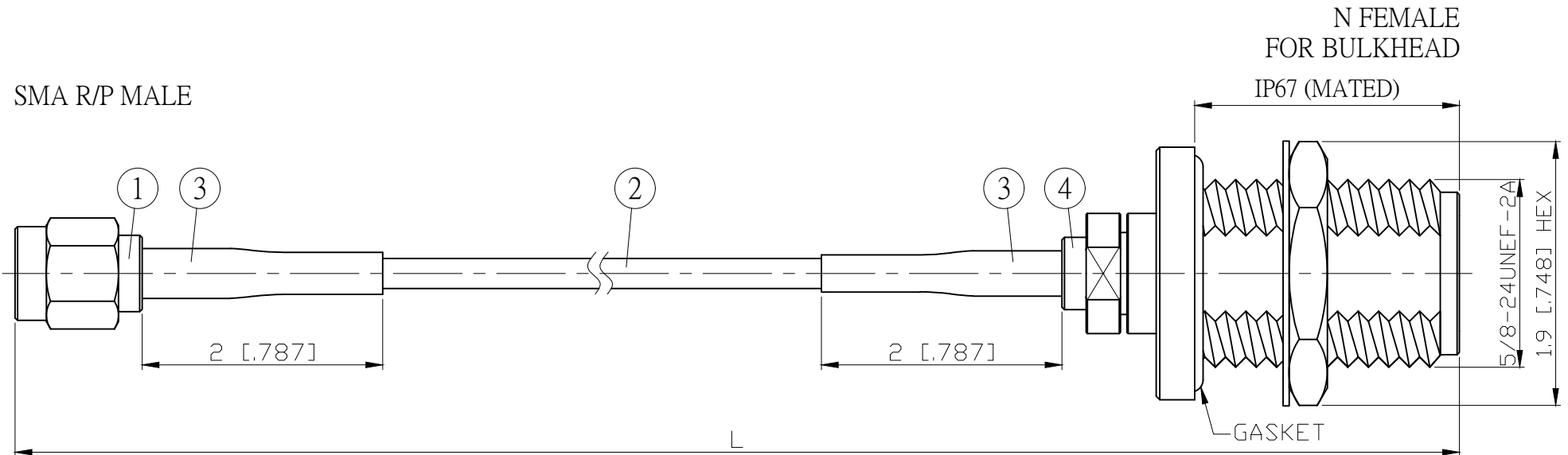
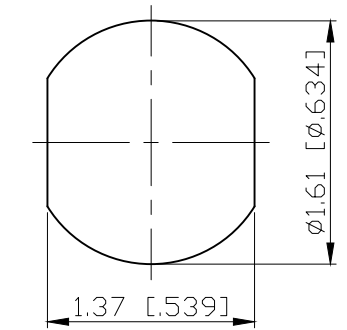


NO.	COMPONENTS	IMPEDANCE
1	SMA REVERSE POLARITY MALE	50 OHM
2	RG316	50 OHM
3	HEAT SHRINKING TUBE	
4	N FEMALE FOR BULKHEAD	50 OHM

REVISION			
REV.	DESCRIPTION	DATE	APPROVED
-	INITIAL RELEASE	2011/03/15	



JYE BAO P/N	L CM (INCH)	L1 FT (MM)
A60N85-316-15	15 (5.906)	0.412 (125.5)
A60N85-316-30	30 (11.811)	0.904 (275.5)
A60N85-316-50	50 (19.685)	1.560 (475.5)
A60N85-316-100	100 (39.370)	3.200 (975.5)
A60N85-316-150	150 (59.055)	4.841 (1475.5)
A60N85-316-200	200 (78.740)	6.481 (1975.5)
A60N85-316-XXX	CUSTOM LENGTH IN CM	- - -



MOUNTING HOLE

DIMENSION ARE MILLIMETERS UNLESS OTHERWISE SPECIFIED TOLERANCES (UNIT: MM)					STANDARD		REV	UNIT	JYE BAO CO., LTD.	
LENGTH TOLERANCE IS ±1.5% OR ±10MM, WHICHEVER IS GREATER.					APPROVED		-	CM(INCH)	TAIPEI TAIWAN	
NO.	PARTS NO.	DESCRIPTION	QTY	UM	DATE		DATE	DATE	DESCRIPTION	
4	N8105P-0316	N JACK	1	EA					CABLE ASSEMBLY SMA R/P PLUG TO N JACK FOR BULKHEAD	
3	G5(F)-4.0MM-BLACK	TUBE	0.04	M						
2	RG316	CABLE	L1 (SEE TABLE)	FT					JYE BAO DRAWING NO. A60N85-316-XXX	
1	SMA6100-0316	SMA R/P PLUG	1	EA						
					DRAWING					
					Albert					