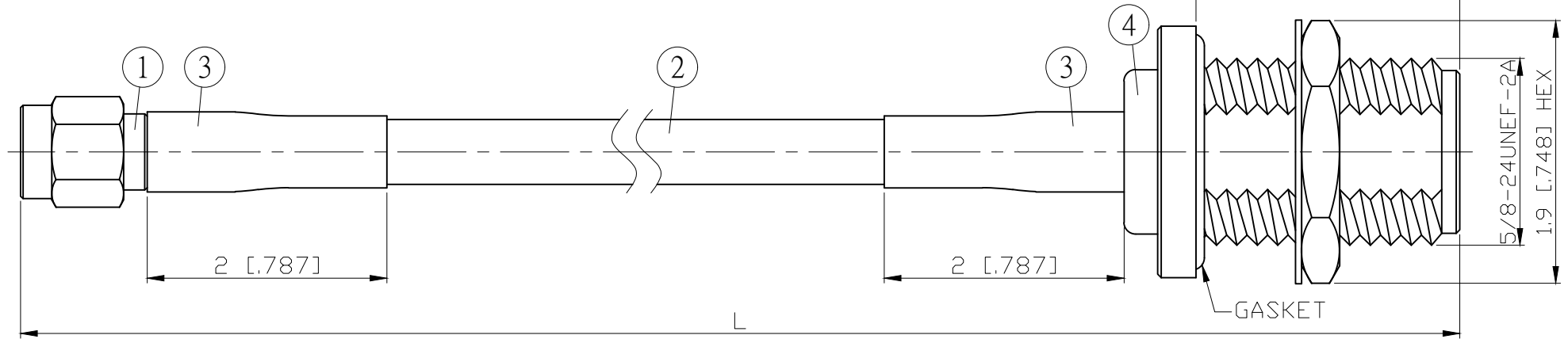


| NO. | COMPONENTS                | IMPEDANCE |
|-----|---------------------------|-----------|
| 1   | SMA REVERSE POLARITY MALE | 50 OHM    |
| 2   | RG223                     | 50 OHM    |
| 3   | HEAT SHRINKING TUBE       |           |
| 4   | N FEMALE FOR BULKHEAD     | 50 OHM    |

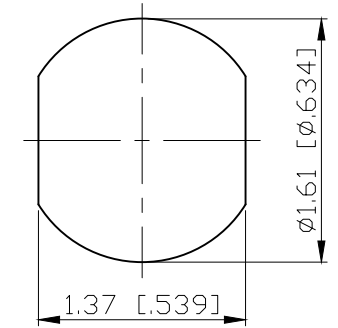
| REVISION |                 |            |          |
|----------|-----------------|------------|----------|
| REV.     | DESCRIPTION     | DATE       | APPROVED |
| -        | INITIAL RELEASE | 2011/03/15 |          |

SMA R/P MALE

N FEMALE  
FOR BULKHEAD



| JYE BAO P/N    | L<br>CM (INCH)         | L1<br>FT (MM)  |
|----------------|------------------------|----------------|
| A60N85-223-15  | 15 (5.906)             | 0.404 (123.0)  |
| A60N85-223-30  | 30 (11.811)            | 0.896 (273.0)  |
| A60N85-223-50  | 50 (19.685)            | 1.552 (473.0)  |
| A60N85-223-100 | 100 (39.370)           | 3.192 (973.0)  |
| A60N85-223-150 | 150 (59.055)           | 4.833 (1473.0) |
| A60N85-223-200 | 200 (78.740)           | 6.473 (1973.0) |
| A60N85-223-XXX | CUSTOM<br>LENGTH IN CM | - - -          |



MOUNTING HOLE

|     |                   |              |                |     |
|-----|-------------------|--------------|----------------|-----|
| 4   | N8105-0223        | N JACK       | 1              | EA  |
| 3   | G5(F)-8.0MM-BLACK | TUBE         | 0.04           | M   |
| 2   | RG223             | CABLE        | L1 (SEE TABLE) | FT  |
| 1   | SMA6100-0223      | SMA R/P PLUG | 1              | EA  |
| NO. | PARTS NO.         | DESCRIPTION  | QTY            | U/M |

| DIMENSION ARE MILLIMETERS<br>UNLESS OTHERWISE SPECIFIED<br>TOLERANCES ( UNIT: MM ) |  | REV    | UNIT     |
|--|--|--------|----------|
| STANDARD   |  | -      | CM(INCH) |
| APPROVED   |  |        | DATE     |
| CHECKED  |  |        | DATE     |
| DRAWING  |  | Albert | DATE     |

| JYE BAO CO., LTD.   |   |
|---------------------|---|
| TAIPEI TAIWAN       |   |
| DESCRIPTION         | CABLE ASSEMBLY SMA R/P PLUG<br>TO N JACK FOR BULKHEAD |
| JYE BAO DRAWING NO. | A60N85-223-XXX  |