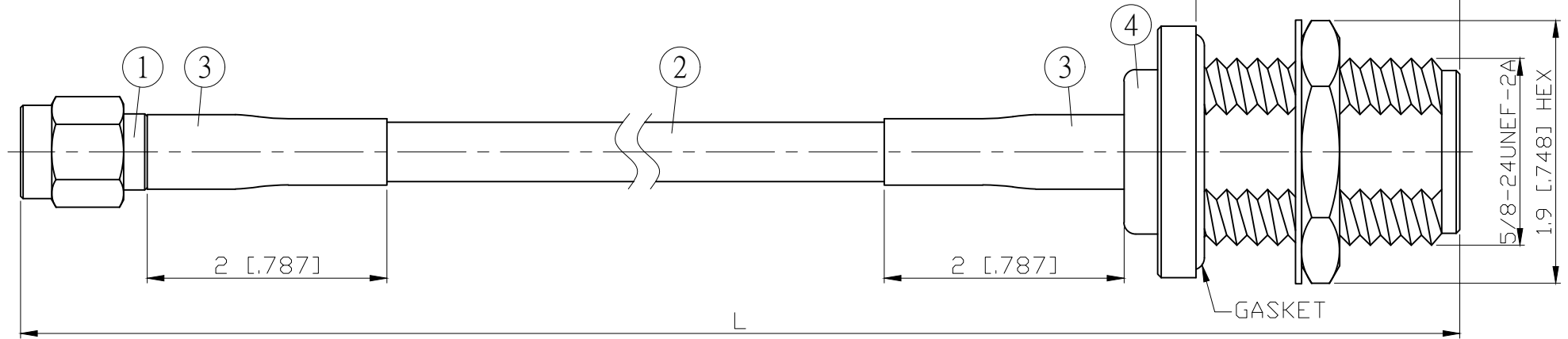


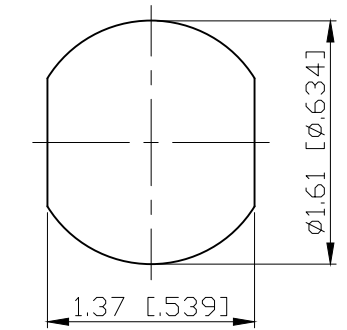
NO.	COMPONENTS	IMPEDANCE
1	SMA REVERSE POLARITY MALE	50 OHM
2	RG142	50 OHM
3	HEAT SHRINKING TUBE	
4	N FEMALE FOR BULKHEAD	50 OHM

REVISION			
REV.	DESCRIPTON	DATE	APPROVED
-	INITIAL RELEASE	2011/03/15	

SMA R/P MALE



JYE BAO P/N	L CM (INCH)	L1 FT (MM)
A60N85-142-15	15 (5.906)	0.404 (123.0)
A60N85-142-30	30 (11.811)	0.896 (273.0)
A60N85-142-50	50 (19.685)	1.552 (473.0)
A60N85-142-100	100 (39.370)	3.192 (973.0)
A60N85-142-150	150 (59.055)	4.833 (1473.0)
A60N85-142-200	200 (78.740)	6.473 (1973.0)
A60N85-142-XXX	CUSTOM LENGTH IN CM	- - -



MOUNTING HOLE

4	N8105-0142	N JACK	1	EA
3	G5(F)-8.0MM-BLACK	TUBE	0.04	M
2	RG142	CABLE	L1 (SEE TABLE)	FT
1	SMA6100-0142	SMA R/P PLUG	1	EA
NO.	PARTS NO.	DESCRIPTION	QTY	U/M

DIMENSION ARE MILLIMETERS
UNLESS OTHERWISE SPECIFIED
TOLERANCES (UNIT: MM)

LENGTH TOLERANCE
IS ±1.5% OR ±10MM,
WHICHEVER IS
GREATER.

STANDARD	REV -	UNIT CM(INCH)
APPROVED	DATE	
CHECKED	DATE	
DRAWING Albert	DATE	

JYE BAO CO., LTD.

TAIPEI TAIWAN

DESCRIPTION CABLE ASSEMBLY SMA R/P PLUG
TO N JACK FOR BULKHEAD

JYE BAO DRAWING NO.

A60N85-142-XXX