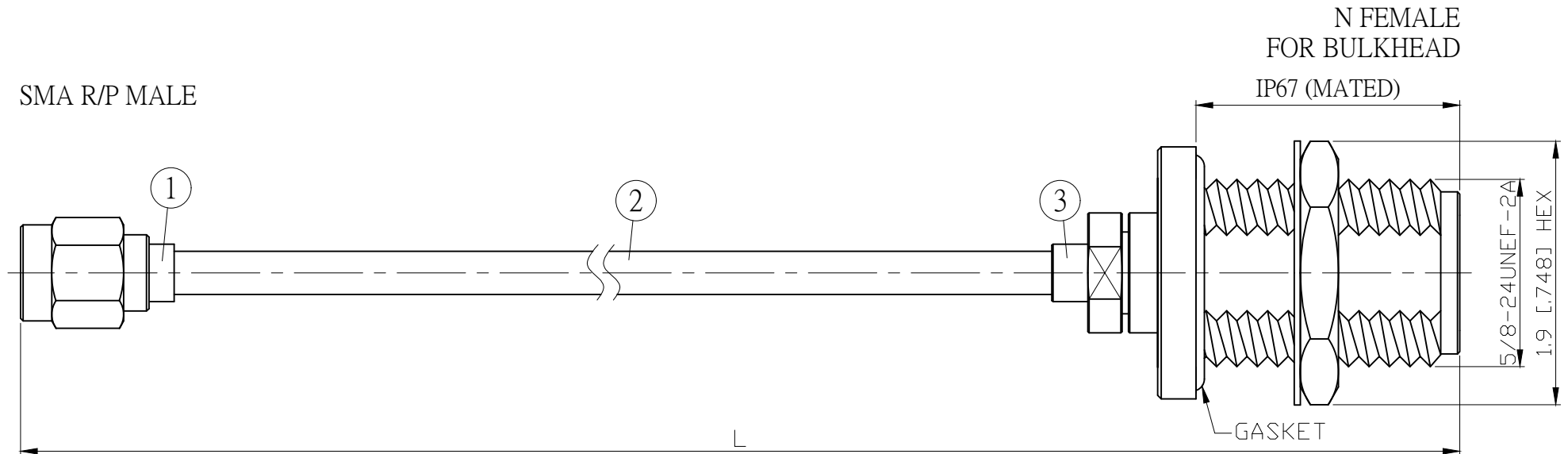
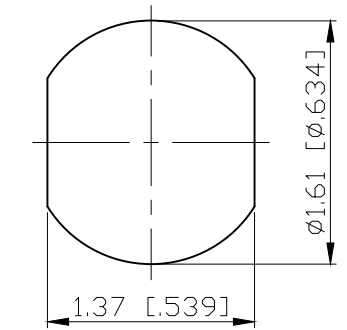


NO.	COMPONENTS	IMPEDANCE
1	SMA REVERSE POLARITY MALE	50 OHM
2	.141" TIN PLATED SEMI-RIGID CABLE (TIN PLATED RG402)	50 OHM
3	N FEMALE FOR BULKHEAD	50 OHM

REVISION			
REV.	DESCRIPTION	DATE	APPROVED
-	INITIAL RELEASE	2011/03/15	



JYE BAO P/N	L CM (INCH)	L1 FT (MM)
A60N85-141T-15	15 (5.906)	0.408 (124.5)
A60N85-141T-30	30 (11.811)	0.901 (274.5)
A60N85-141T-50	50 (19.685)	1.557 (474.5)
A60N85-141T-100	100 (39.370)	3.197 (974.5)
A60N85-141T-150	150 (59.055)	4.838 (1474.5)
A60N85-141T-200	200 (78.740)	6.478 (1974.5)
A60N85-141T-XXX	CUSTOM LENGTH IN CM	- - -



MOUNTING HOLE

DIMENSION ARE MILLIMETERS UNLESS OTHERWISE SPECIFIED TOLERANCES (UNIT: MM)				STANDARD	REV -	UNIT CM(INCH)	JYE BAO CO., LTD. TAIPEI TAIWAN
APPROVED				DATE			
CHECKED				DATE			
DRAWING Albert				DATE			DESCRIPTION CABLE ASSEMBLY SMA R/P PLUG TO N JACK FOR BULKHEAD
							JYE BAO DRAWING NO. A60N85-141T-XXX
3	N8305P-0141	N JACK	1	EA			
2	.141TIN-W-P-50	CABLE	L1 (SEE TABLE)	FT			
1	SMA6300-0141	SMA R/P PLUG	1	EA			
NO.	PARTS NO.	DESCRIPTION	QTY	UM			

LENGTH TOLERANCE
IS ±1.5% OR ±10MM,
WHICHEVER IS
GREATER.