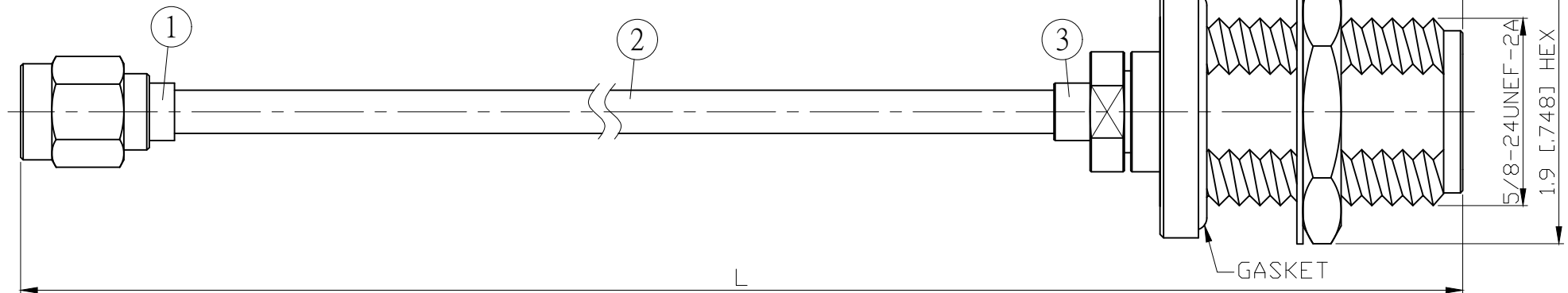


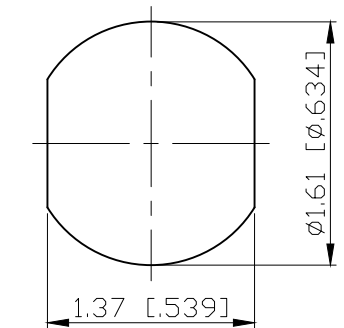
NO.	COMPONENTS	IMPEDANCE
1	SMA REVERSE POLARITY MALE	50 OHM
2	.141" HANDBENDABLE CABLE (= JYEBAO P/N .141SRF-W-P-50)	50 OHM
3	N FEMALE FOR BULKHEAD	50 OHM

REVISION			
REV.	DESCRIPTION	DATE	APPROVED
-	INITIAL RELEASE	2011/03/15	

SMA R/P MALE



JYE BAO P/N	L CM (INCH)	L1 FT (MM)
A60N85-141S-15	15 (5.906)	0.408 (124.5)
A60N85-141S-30	30 (11.811)	0.901 (274.5)
A60N85-141S-50	50 (19.685)	1.557 (474.5)
A60N85-141S-100	100 (39.370)	3.197 (974.5)
A60N85-141S-150	150 (59.055)	4.838 (1474.5)
A60N85-141S-200	200 (78.740)	6.478 (1974.5)
A60N85-141S-XXX	CUSTOM LENGTH IN CM	- - -



MOUNTING HOLE

DIMENSION ARE MILLIMETERS UNLESS OTHERWISE SPECIFIED TOLERANCES (UNIT: MM)					STANDARD		REV	UNIT	JYE BAO CO., LTD.	
LENGTH TOLERANCE IS ±1.5% OR ±10MM, WHICHEVER IS GREATER.					APPROVED		-	CM(INCH)	TAIPEI TAIWAN	
NO.	PARTS NO.	DESCRIPTION	QTY	U/M	CHECKED		DATE	DESCRIPTION		
3	N8305P-0141	N JACK	1	EA	DRAWING		DATE	CABLE ASSEMBLY SMA R/P PLUG TO N JACK FOR BULKHEAD		
2	.141SRF-W-P-50	CABLE	L1 (SEE TABLE)	FT	Albert		DATE	JYE BAO DRAWING NO.		
1	SMA6300-0141	SMA R/P PLUG	1	EA			DATE	A60N85-141S-XXX		