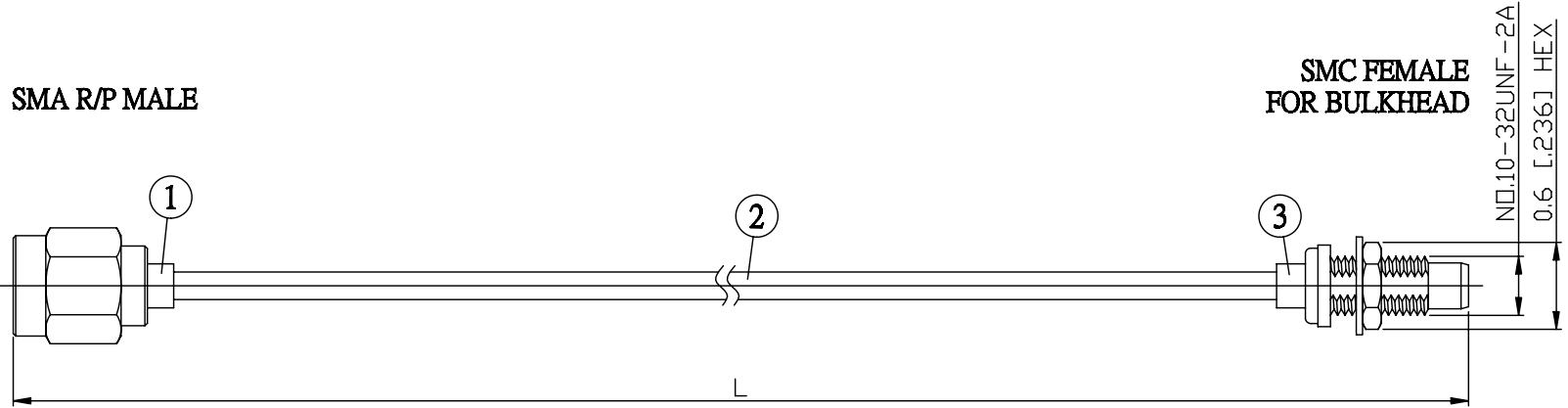
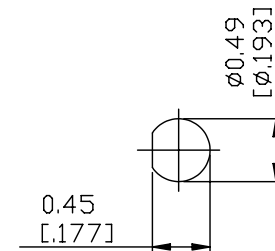


| NO. | COMPONENTS | IMPEDANCE |
|-----|---|-----------|
| 1 | SMA REVERSE POLARITY MALE | 50 OHM |
| 2 | .085" HANDBENDABLE CABLE (= JYEBAO P/N .085SRF-W-P-50) | 50 OHM |
| 3 | SMC FEMALE FOR BULKHEAD | 50 OHM |



| JYE BAO P/N | L CM (INCH) |
|-----------------|------------------------|
| A60MC85-85S-15 | 15 (5.906) |
| A60MC85-85S-30 | 30 (11.811) |
| A60MC85-85S-50 | 50 (19.685) |
| A60MC85-85S-100 | 100 (39.370) |
| A60MC85-85S-150 | 150 (59.055) |
| A60MC85-85S-200 | 200 (78.740) |
| A60MC85-85S-XXX | CUSTOM LENGTH IN CM |



MOUNTING HOLE

| | |
|--|---|
| <p>LENGTH TOLERANCE IS $\pm 1.5\%$ OR $\pm 10\text{MM}$, WHICHEVER IS GREATER.</p> | <p>JYE BAO CO., LTD.</p> <p>TAIPEI TAIWAN</p> |
| | <p>DESCRIPTION CABLE ASSEMBLY SMA R/P PLUG TO SMC JACK FOR BULKHEAD</p> |
| | <p>JYE BAO DRAWING NO. A60MC85-85S-XXX</p> |