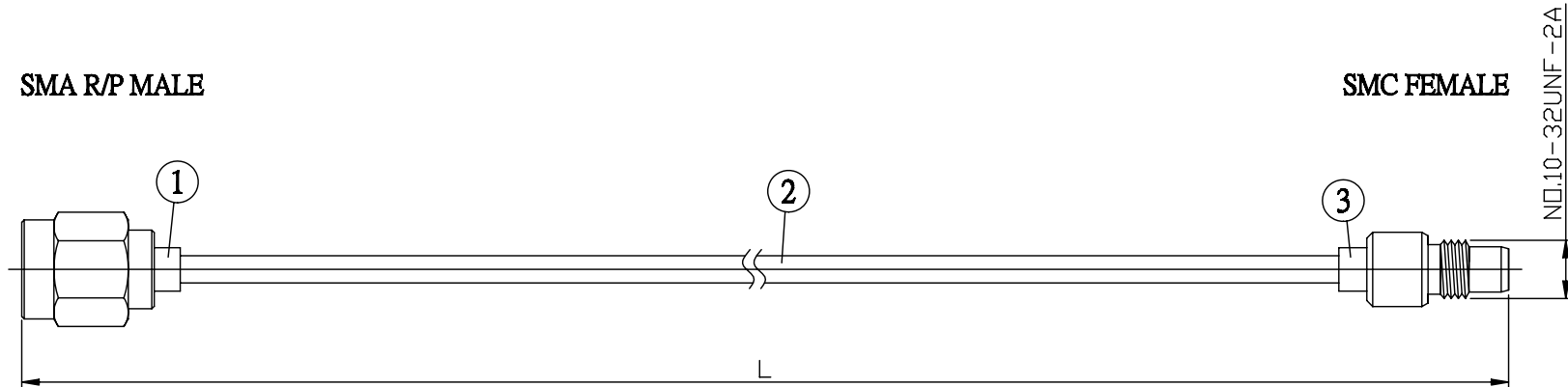


NO.	COMPONENTS	IMPEDANCE
1	SMA REVERSE POLARITY MALE	50 OHM
2	.085" TIN PLATED SEMI-RIGID CABLE (TIN PLATED RG405)	50 OHM
3	SMC FEMALE	50 OHM

SMA R/P MALE

SMC FEMALE



JYE BAO P/N	L CM (INCH)
A60MC80-85T-15	15 (5.906)
A60MC80-85T-30	30 (11.811)
A60MC80-85T-50	50 (19.685)
A60MC80-85T-100	100 (39.370)
A60MC80-85T-150	150 (59.055)
A60MC80-85T-200	200 (78.740)
A60MC80-85T-XXX	CUSTOM LENGTH IN CM

LENGTH TOLERANCE IS $\pm 1.5\%$ OR $\pm 10\text{MM}$ , WHICHEVER IS GREATER.	<b>JYE BAO CO., LTD.</b> TAIPEI TAIWAN
	DESCRIPTION CABLE ASSEMBLY SMA R/P PLUG TO SMC JACK
	JYE BAO DRAWING NO. A60MC80-85T-XXX