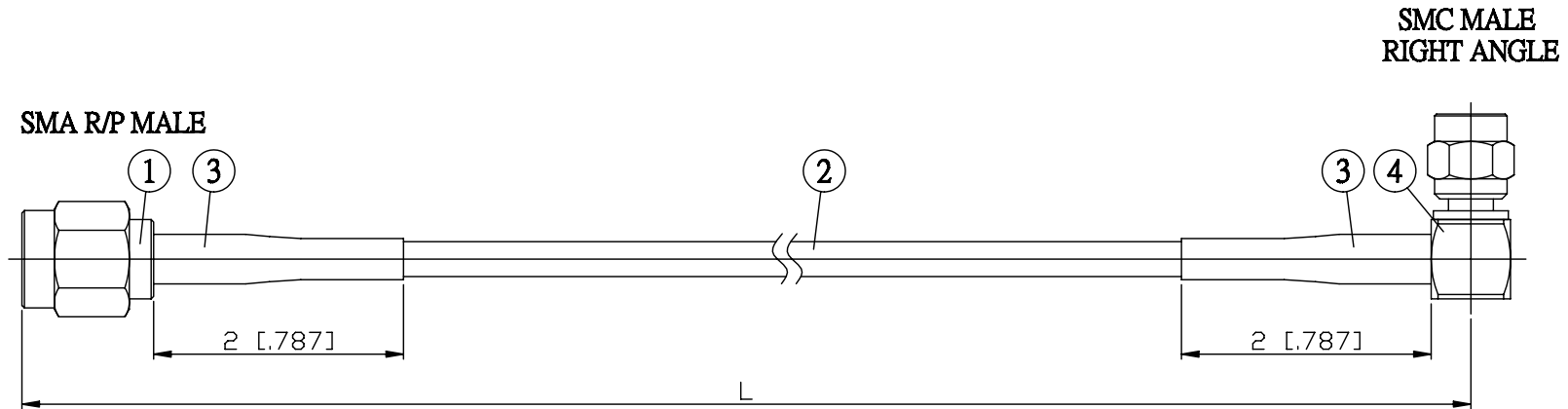


NO.	COMPONENTS	IMPEDANCE
1	SMA REVERSE POLARITY MALE	50 OHM
2	RG174	50 OHM
3	HEAT SHRINKING TUBE	
4	SMC MALE RIGHT ANGLE	50 OHM



JYE BAO P/N	L CM (INCH)
A60MC39-174-15	15 (5.906)
A60MC39-174-30	30 (11.811)
A60MC39-174-50	50 (19.685)
A60MC39-174-100	100 (39.370)
A60MC39-174-150	150 (59.055)
A60MC39-174-200	200 (78.740)
A60MC39-174-XXX	CUSTOM LENGTH IN CM

LENGTH TOLERANCE IS ±1.5% OR ±10MM, WHICHEVER IS GREATER.	JYE BAO CO., LTD. TAIPEI TAIWAN
	<small>DESCRIPTION</small> CABLE ASSEMBLY SMA R/P PLUG TO SMC PLUG R/A
	<small>JYE BAO DRAWING NO.</small> A60MC39-174-XXX