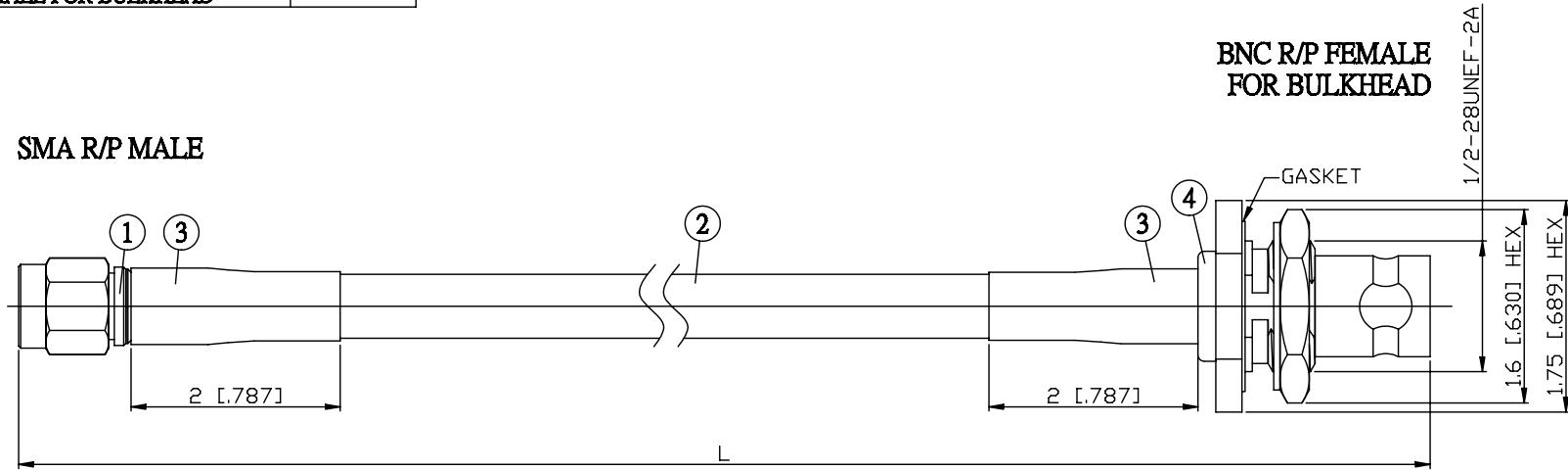


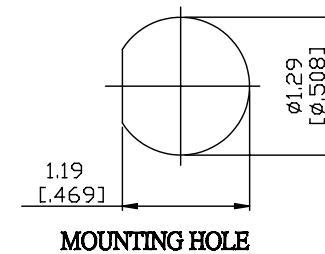
NO.	COMPONENTS	IMPEDANCE
1	SMA REVERSE POLARITY MALE	50 OHM
2	JBYP240	50 OHM
3	HEAT SHRINKING TUBE	
4	BNC REVERSE POLARITY FEMALE FOR BULKHEAD	50 OHM

SMA R/P MALE

BNC R/P FEMALE FOR BULKHEAD



JYE BAO P/N	L CM (INCH)
A60B95-L240-15	15 (5.906)
A60B95-L240-30	30 (11.811)
A60B95-L240-50	50 (19.685)
A60B95-L240-100	100 (39.370)
A60B95-L240-150	150 (59.055)
A60B95-L240-200	200 (78.740)
A60B95-L240-XXX	CUSTOM LENGTH IN CM



<p>LENGTH TOLERANCE IS <math>\pm 1.5\%</math> OR <math>\pm 10\text{MM}</math>, WHICHEVER IS GREATER.</p>	<p><b>JYE BAO CO., LTD.</b></p> <p>TAIPEI TAIWAN</p>
	<p>DESCRIPTION CABLE ASSEMBLY SMA R/P PLUG TO BNC R/P JACK FOR BULKHEAD</p>
	<p>JYE BAO DRAWING NO. A60B95-L240-XXX</p>