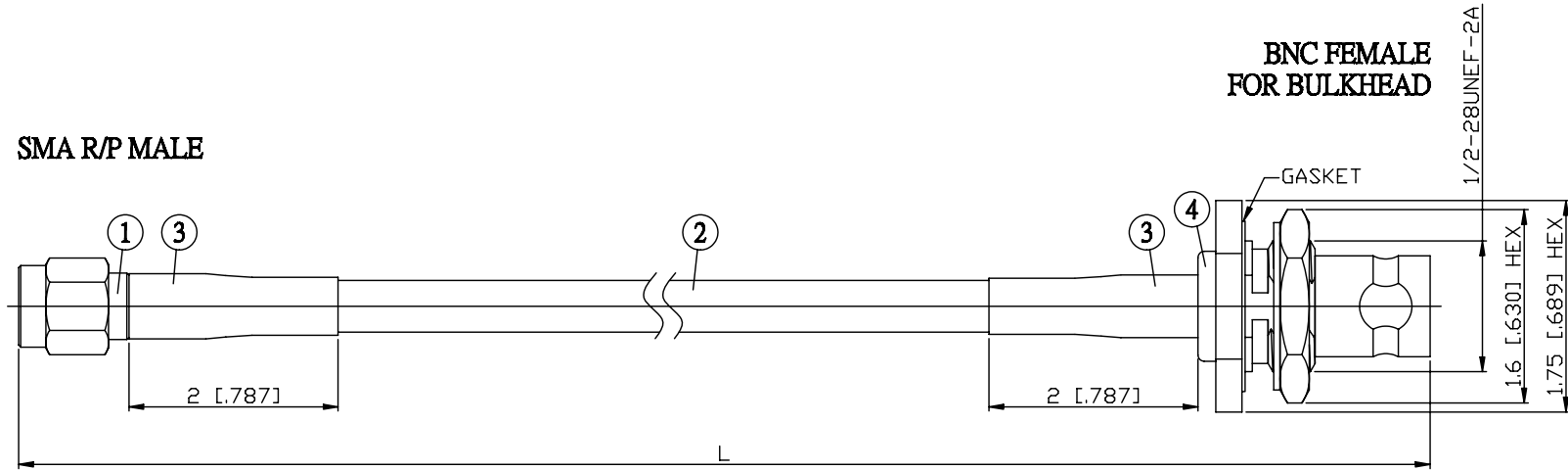
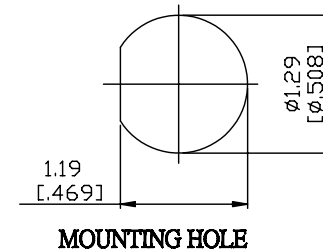


NO.	COMPONENTS	IMPEDANCE
1	SMA REVERSE POLARITY MALE	50 OHM
2	RG58	50 OHM
3	HEAT SHRINKING TUBE	
4	BNC FEMALE FOR BULKHEAD	50 OHM

SMA R/P MALE



JYE BAO P/N	L CM (INCH)
A60B85-58-15	15 (5.906)
A60B85-58-30	30 (11.811)
A60B85-58-50	50 (19.685)
A60B85-58-100	100 (39.370)
A60B85-58-150	150 (59.055)
A60B85-58-200	200 (78.740)
A60B85-58-XXX	CUSTOM LENGTH IN CM



<p>LENGTH TOLERANCE IS ±1.5% OR ±10MM, WHICHEVER IS GREATER.</p>	<p><b>JYE BAO CO., LTD.</b></p> <p>TAIPEI TAIWAN</p>
	<p>DESCRIPTION CABLE ASSEMBLY SMA R/P PLUG TO BNC JACK FOR BULKHEAD</p>
	<p>JYE BAO DRAWING NO. A60B85-58-XXX</p>