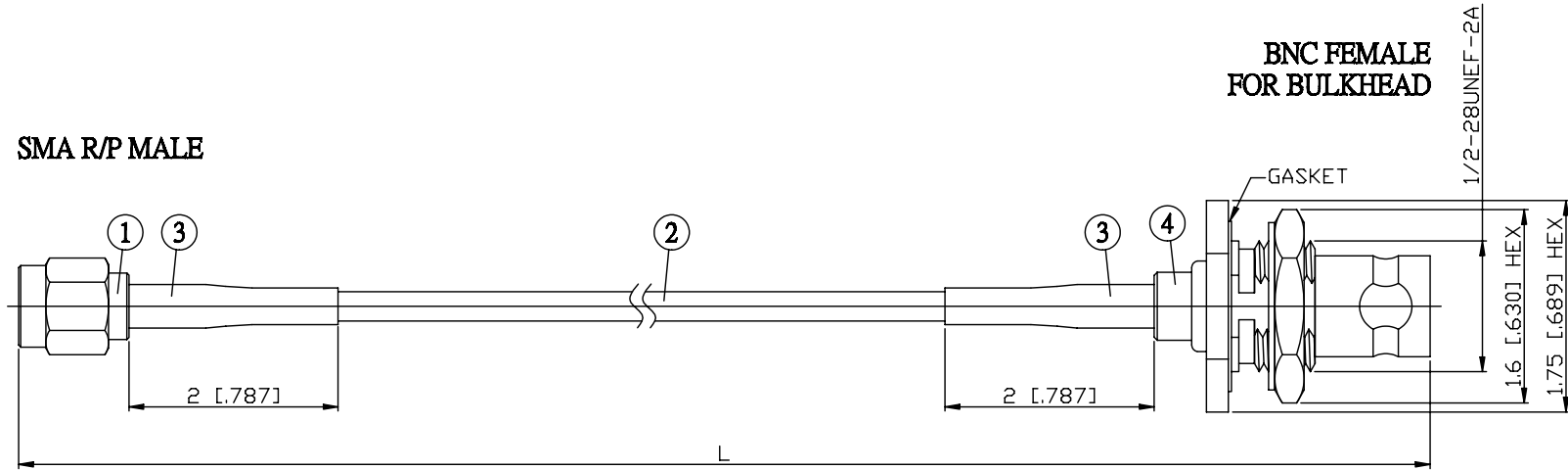
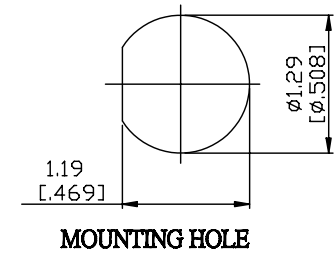


| NO. | COMPONENTS | IMPEDANCE |
|-----|---------------------------|-----------|
| 1 | SMA REVERSE POLARITY MALE | 50 OHM |
| 2 | RG174 | 50 OHM |
| 3 | HEAT SHRINKING TUBE | |
| 4 | BNC FEMALE FOR BULKHEAD | 50 OHM |

SMA R/P MALE



| JYE BAO P/N | L CM (INCH) |
|----------------|------------------------|
| A60B85-174-15 | 15 (5.906) |
| A60B85-174-30 | 30 (11.811) |
| A60B85-174-50 | 50 (19.685) |
| A60B85-174-100 | 100 (39.370) |
| A60B85-174-150 | 150 (59.055) |
| A60B85-174-200 | 200 (78.740) |
| A60B85-174-XXX | CUSTOM LENGTH IN CM |



| | |
|------------------------------------------------------------------------------|-----------------------------------------------------------------------------|
| <p>LENGTH TOLERANCE IS ±1.5% OR ±10MM, WHICHEVER IS GREATER.</p> | <p>JYE BAO CO., LTD. TAIPEI TAIWAN</p> |
| | <p>DESCRIPTION CABLE ASSEMBLY SMA R/P PLUG TO BNC JACK FOR BULKHEAD</p> |
| | <p>JYE BAO DRAWING NO. A60B85-174-XXXX</p> |