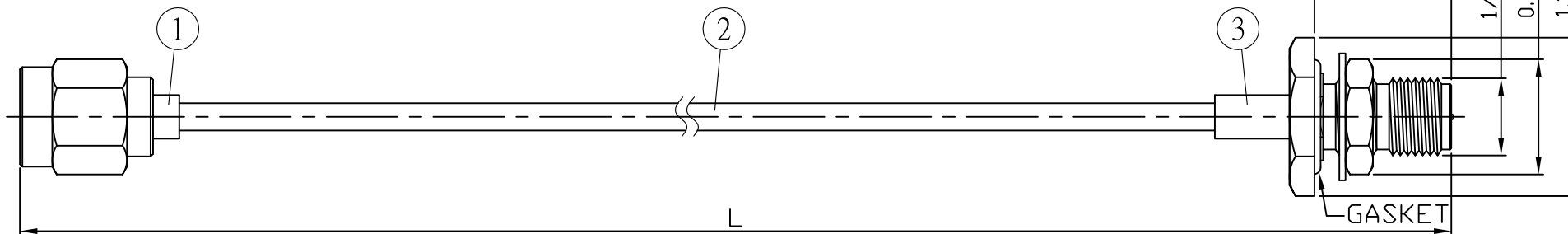


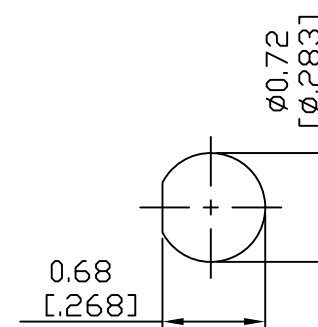
NO.	COMPONENTS	IMPEDANCE
1	SMA REVERSE POLARITY MALE	50 OHM
2	.085" HANDBENDABLE CABLE (= JYEBAO P/N .085SRF-W-P-50)	50 OHM
3	SMA REVERSE POLARITY FEMALE FOR BULKHEAD	50 OHM

REVISION			
REV.	DESCRIPTION	DATE	APPROVED
-	INITIAL RELEASE	2012/08/15	
A	修正SMA螺紋規格	2013/10/01	

SMA R/P MALE



JYE BAO P/N	L CM (INCH)	L1 FT (MM)
A60A95-85S-15	15 (5.906)	0.449 (137.0)
A60A95-85S-30	30 (11.811)	0.942 (287.0)
A60A95-85S-50	50 (19.685)	1.598 (487.0)
A60A95-85S-100	100 (39.370)	3.238 (987.0)
A60A95-85S-150	150 (59.055)	4.879 (1487.0)
A60A95-85S-200	200 (78.740)	6.519 (1987.0)
A60A95-85S-XXX	CUSTOM LENGTH IN CM	- - -



MOUNTING HOLE

LENGTH TOLERANCE IS $\pm 1.5\%$ OR $\pm 10\text{MM}$ , WHICHEVER IS GREATER.				STANDARD	REV A	UNIT CM(INCH)	<b>JYE BAO CO., LTD.</b> TAIPEI TAIWAN	
				APPROVED				DATE
				CHECKED				DATE
				DRAWING Albert				DATE
3	SMA9305A-0085	SMA R/P JACK	1	EA	DESCRIPTION CABLE ASSEMBLY SMA R/P PLUG TO SMA R/P JACK FOR BULKHEAD			
2	.085SRF-W-P-50	CABLE	L1 (SEE TABLE)	FT	JYE BAO DRAWING NO.			
1	SMA6300-0085	SMA R/P PLUG	1	EA	A60A95-85S-XXX			
NO.	PARTS NO.	DESCRIPTION	Q'TY	U/M				