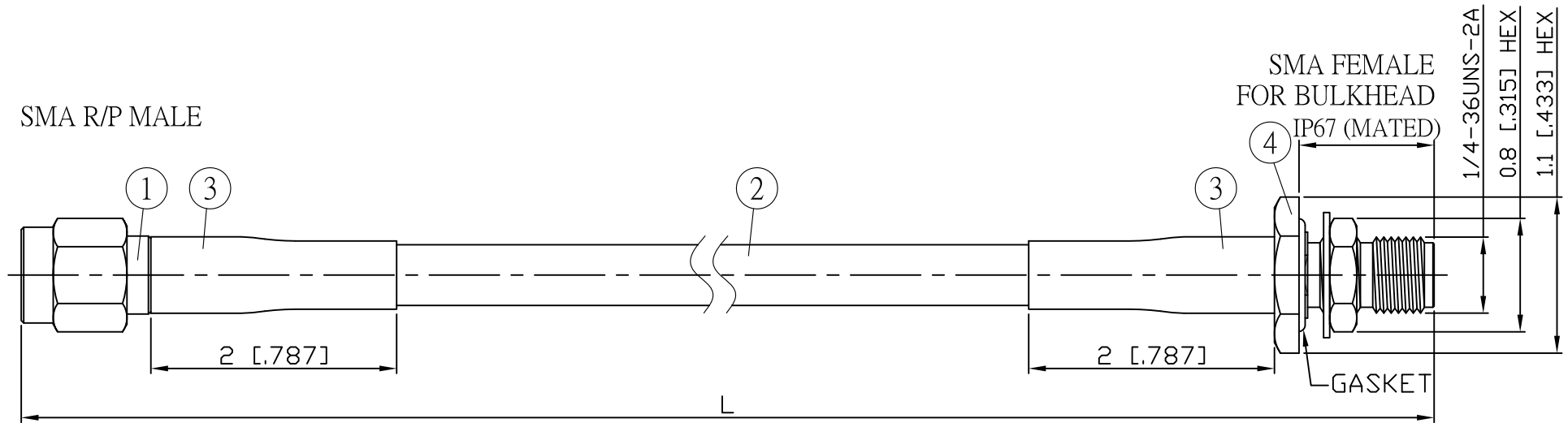
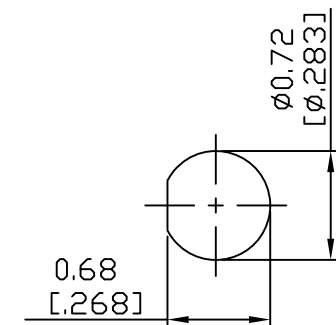


NO.	COMPONENTS	IMPEDANCE
1	SMA REVERSE POLARITY MALE	50 OHM
2	JBY195	50 OHM
3	HEAT SHRINKING TUBE	
4	SMA FEMALE FOR BULKHEAD	50 OHM

REVISION			
REV.	DESCRIPTION	DATE	APPROVED
-	INITIAL RELEASE	2012/08/15	
A	修正SMA螺紋規格	2013/10/01	



JYE BAO P/N	L CM (INCH)	L1 FT (MM)
A60A85-L195-15	15 (5.906)	0.449 (137.0)
A60A85-L195-30	30 (11.811)	0.942 (287.0)
A60A85-L195-50	50 (19.685)	1.598 (487.0)
A60A85-L195-100	100 (39.370)	3.238 (987.0)
A60A85-L195-150	150 (59.055)	4.879 (1487.0)
A60A85-L195-200	200 (78.740)	6.519 (1987.0)
A60A85-L195-XXX	CUSTOM LENGTH IN CM	- - -



MOUNTING HOLE

				STANDARD	REV A	UNIT CM(INCH)	JYE BAO CO., LTD. TAIPEI TAIWAN
				APPROVED		DATE	
				CHECKED		DATE	
				DRAWING Albert		DATE	
4	SMA8105-0058	SMA JACK	1	EA			DESCRIPTION CABLE ASSEMBLY SMA R/P PLUG TO SMA JACK FOR BULKHEAD JYE BAO DRAWING NO. A60A85-L195-XXX
3	G5(F)-8.0MM-BLACK	TUBE	0.04	M			
2	JBY195	CABLE	L1 (SEE TABLE)	FT			
1	SMA6100-0058	SMA R/P PLUG	1	EA			
NO.	PARTS NO.	DESCRIPTION	Q'TY	U/M			

LENGTH TOLERANCE
IS ±1.5% OR ±10MM,
WHICHEVER IS
GREATER.