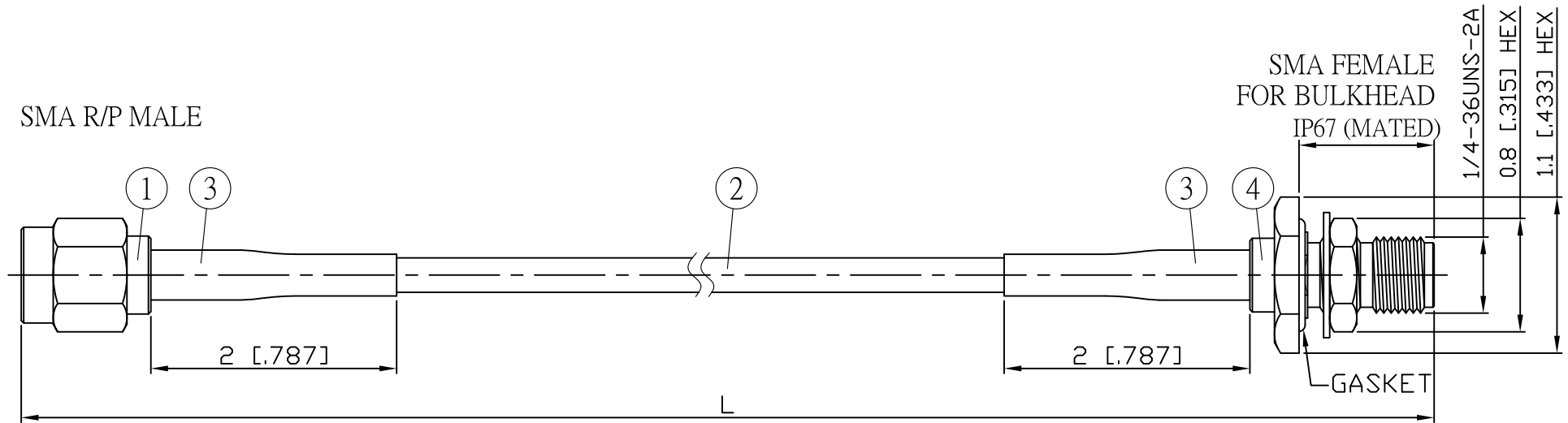
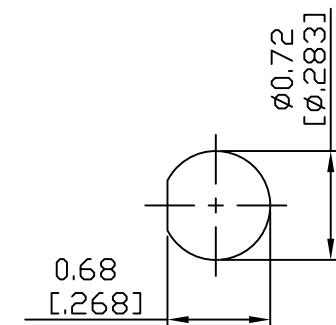


NO.	COMPONENTS	IMPEDANCE
1	SMA REVERSE POLARITY MALE	50 OHM
2	JB Y100	50 OHM
3	HEAT SHRINKING TUBE	
4	SMA FEMALE FOR BULKHEAD	50 OHM

REVISION			
REV.	DESCRIPTION	DATE	APPROVED
-	INITIAL RELEASE	2012/08/15	
A	修正SMA螺紋規格	2013/10/01	



JYE BAO P/N	L CM (INCH)	L1 FT (MM)
A60A85-L100-15	15 (5.906)	0.449 (137.0)
A60A85-L100-30	30 (11.811)	0.942 (287.0)
A60A85-L100-50	50 (19.685)	1.598 (487.0)
A60A85-L100-100	100 (39.370)	3.238 (987.0)
A60A85-L100-150	150 (59.055)	4.879 (1487.0)
A60A85-L100-200	200 (78.740)	6.519 (1987.0)
A60A85-L100-XXX	CUSTOM LENGTH IN CM	- - -



MOUNTING HOLE

				STANDARD	REV A	UNIT CM(INCH)	<b>JYE BAO CO., LTD.</b>	
				APPROVED			TAIPEI TAIWAN	
				CHECKED			DESCRIPTION	CABLE ASSEMBLY SMA R/P PLUG TO SMA JACK FOR BULKHEAD
				DRAWING	Albert		JYE BAO DRAWING NO.	A60A85-L100-XXX
4	SMA8105-L100	SMA JACK	1	EA				
3	G5(F)-4.0MM-BLACK	TUBE	0.04	M				
2	JB Y100	CABLE	L1 (SEE TABLE)	FT				
1	SMA6100-L100	SMA R/P PLUG	1	EA				
NO.	PARTS NO.	DESCRIPTION	Q'TY	U/M				

LENGTH TOLERANCE IS ±1.5% OR ±10MM, WHICHEVER IS GREATER.