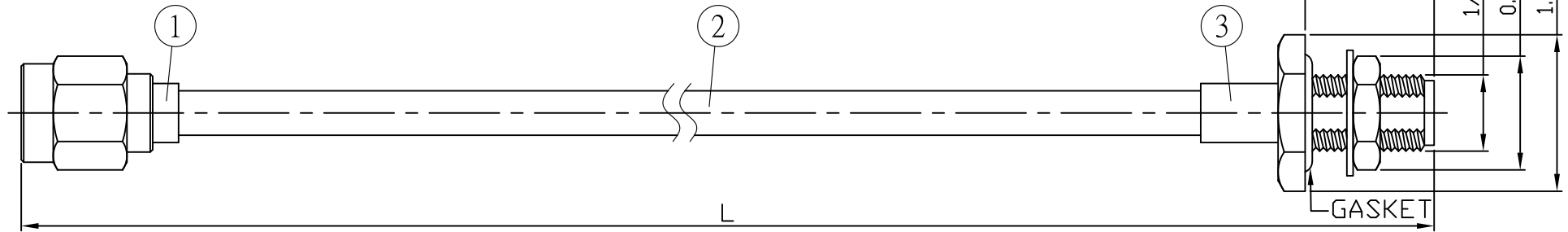


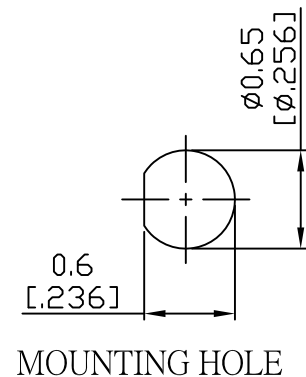
NO.	COMPONENTS	IMPEDANCE
1	SMA REVERSE POLARITY MALE	50 OHM
2	.141" TIN PLATED SEMI-RIGID CABLE (TIN PLATED RG402)	50 OHM
3	SMA FEMALE FOR BULKHEAD	50 OHM

REVISION			
REV.	DESCRIPTION	DATE	APPROVED
-	INITIAL RELEASE	2012/08/15	
A	修正SMA螺紋規格	2013/10/01	

SMA R/P MALE



JYE BAO P/N	L CM (INCH)	L1 FT (MM)
A60A85-141T-15	15 (5.906)	0.449 (137.0)
A60A85-141T-30	30 (11.811)	0.942 (287.0)
A60A85-141T-50	50 (19.685)	1.598 (487.0)
A60A85-141T-100	100 (39.370)	3.238 (987.0)
A60A85-141T-150	150 (59.055)	4.879 (1487.0)
A60A85-141T-200	200 (78.740)	6.519 (1987.0)
A60A85-141T-XXX	CUSTOM LENGTH IN CM	- - -



3	SMA8305-0141	SMA JACK	1	EA	LENGTH TOLERANCE IS ±1.5% OR ±10MM, WHICHEVER IS GREATER.	STANDARD	REV A	UNIT CM(INCH)	JYE BAO CO., LTD. TAIPEI TAIWAN
2	.141TIN-W-P-50	CABLE	L1 (SEE TABLE)	FT		APPROVED	DATE	DESCRIPTION CABLE ASSEMBLY SMA R/P PLUG TO SMA JACK FOR BULKHEAD	
1	SMA6300-0141	SMA R/P PLUG	1	EA		CHECKED	DATE	DESCRIPTION CABLE ASSEMBLY SMA R/P PLUG TO SMA JACK FOR BULKHEAD	
NO.	PARTS NO.	DESCRIPTION	Q'TY	U/M		DRAWING Albert	DATE	DESCRIPTION CABLE ASSEMBLY SMA R/P PLUG TO SMA JACK FOR BULKHEAD	
									JYE BAO DRAWING NO. A60A85-141T-XXX