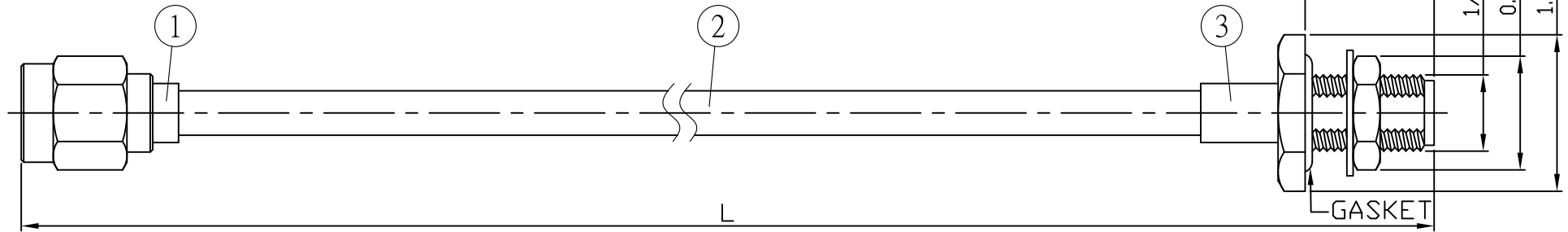


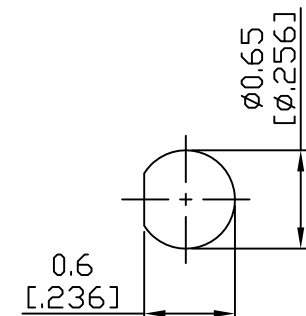
NO.	COMPONENTS	IMPEDANCE
1	SMA REVERSE POLARITY MALE	50 OHM
2	.141" HANDBENDABLE CABLE (= JYEBAO P/N .141SRF-W-P-50)	50 OHM
3	SMA FEMALE FOR BULKHEAD	50 OHM

REVISION			
REV.	DESCRIPTION	DATE	APPROVED
-	INITIAL RELEASE	2012/08/15	
A	修正SMA螺紋規格	2013/10/01	

SMA R/P MALE



JYE BAO P/N	L CM (INCH)	L1 FT (MM)
A60A85-141S-15	15 (5.906)	0.449 (137.0)
A60A85-141S-30	30 (11.811)	0.942 (287.0)
A60A85-141S-50	50 (19.685)	1.598 (487.0)
A60A85-141S-100	100 (39.370)	3.238 (987.0)
A60A85-141S-150	150 (59.055)	4.879 (1487.0)
A60A85-141S-200	200 (78.740)	6.519 (1987.0)
A60A85-141S-XXX	CUSTOM LENGTH IN CM	- - -



MOUNTING HOLE

					STANDARD	REV A	UNIT CM(INCH)	JYE BAO CO., LTD.		
LENGTH TOLERANCE IS ±1.5% OR ±10MM, WHICHEVER IS GREATER.					APPROVED			TAIPEI TAIWAN		
					CHECKED			DESCRIPTION	CABLE ASSEMBLY SMA R/P PLUG TO SMA JACK FOR BULKHEAD	
					DRAWING	Albert		JYE BAO DRAWING NO.	A60A85-141S-XXX	
3	SMA8305-0141	SMA JACK	1	EA						
2	.141SRF-W-P-50	CABLE	L1 (SEE TABLE)	FT						
1	SMA6300-0141	SMA R/P PLUG	1	EA						
NO.	PARTS NO.	DESCRIPTION	Q'TY	U/M						