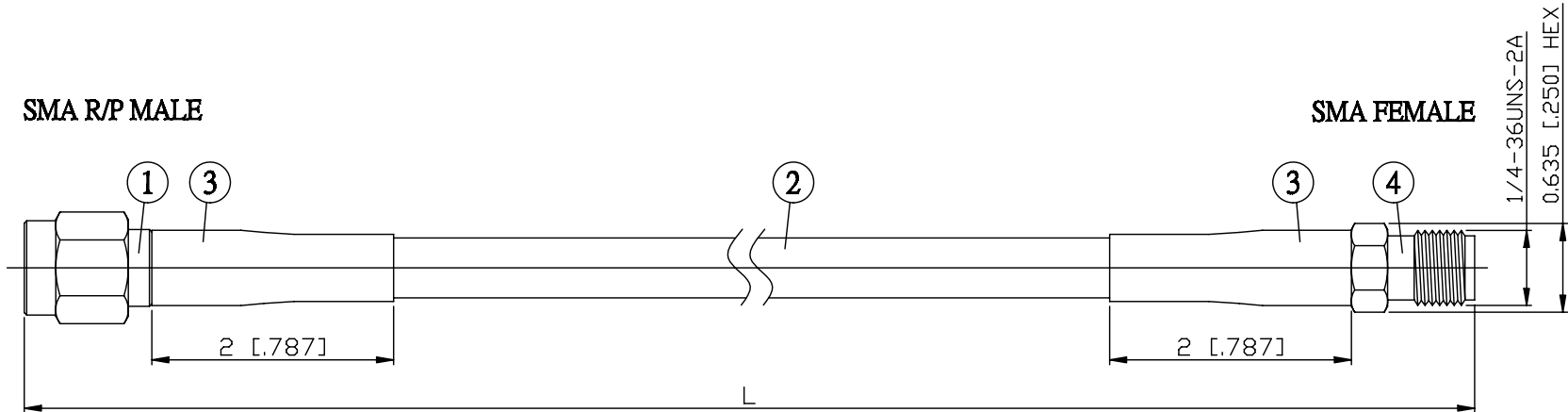


NO.	COMPONENTS	IMPEDANCE
1	SMA REVERSE POLARITY MALE	50 OHM
2	RG142	50 OHM
3	HEAT SHRINKING TUBE	
4	SMA FEMALE	50 OHM



JYE BAO P/N	L CM (INCH)
A60A80-142-15	15 (5.906)
A60A80-142-30	30 (11.811)
A60A80-142-50	50 (19.685)
A60A80-142-100	100 (39.370)
A60A80-142-150	150 (59.055)
A60A80-142-200	200 (78.740)
A60A80-142-XXX	CUSTOM LENGTH IN CM

LENGTH TOLERANCE IS $\pm 1.5\%$ OR $\pm 10\text{MM}$, WHICHEVER IS GREATER.	JYE BAO CO., LTD. TAIPEI TAIWAN
	<small>DESCRIPTION</small> CABLE ASSEMBLY SMA R/P PLUG TO SMA JACK
	<small>JYE BAO DRAWING NO.</small> A60A80-142-XXX