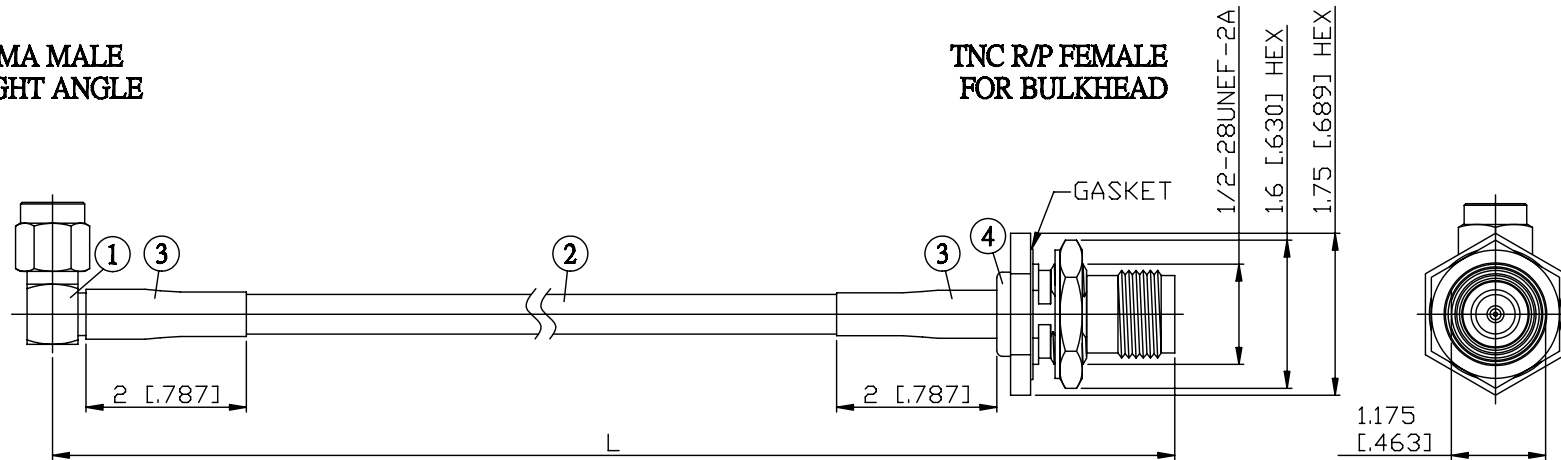


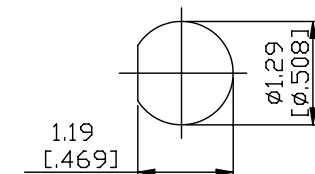
| NO. | COMPONENTS                               | IMPEDANCE |
|-----|--|-----------|
| 1   | SMA MALE RIGHT ANGLE                     | 50 OHM    |
| 2   | JBYP195                                  | 50 OHM    |
| 3   | HEAT SHRINKING TUBE                      |           |
| 4   | TNC REVERSE POLARITY FEMALE FOR BULKHEAD | 50 OHM    |

SMA MALE  
RIGHT ANGLE

TNC R/P FEMALE  
FOR BULKHEAD



| JYE BAO P/N     | L<br>CM (INCH)         |
|-----------------|------------------------|
| A39T95-L195-15  | 15 (5.906)             |
| A39T95-L195-30  | 30 (11.811)            |
| A39T95-L195-50  | 50 (19.685)            |
| A39T95-L195-100 | 100 (39.370)           |
| A39T95-L195-150 | 150 (59.055)           |
| A39T95-L195-200 | 200 (78.740)           |
| A39T95-L195-XXX | CUSTOM<br>LENGTH IN CM |



MOUNTING HOLE

|  |  |   |
|--|--|---|
| <p>LENGTH TOLERANCE<br/>IS <math>\pm 1.5\%</math> OR <math>\pm 10\text{MM}</math>,<br/>WHICHEVER IS<br/>GREATER.</p> | <p><b>JYE BAO CO., LTD.</b></p> <p>TAIPEI TAIWAN</p> |   |
|  | DESCRIPTION  | <p>CABLE ASSEMBLY SMA PLUG R/A<br/>TO TNC R/P JACK FOR BULKHEAD</p> |
|  | JYE BAO DRAWING NO.                                  | <p>A39T95-L195-XXX</p>  |