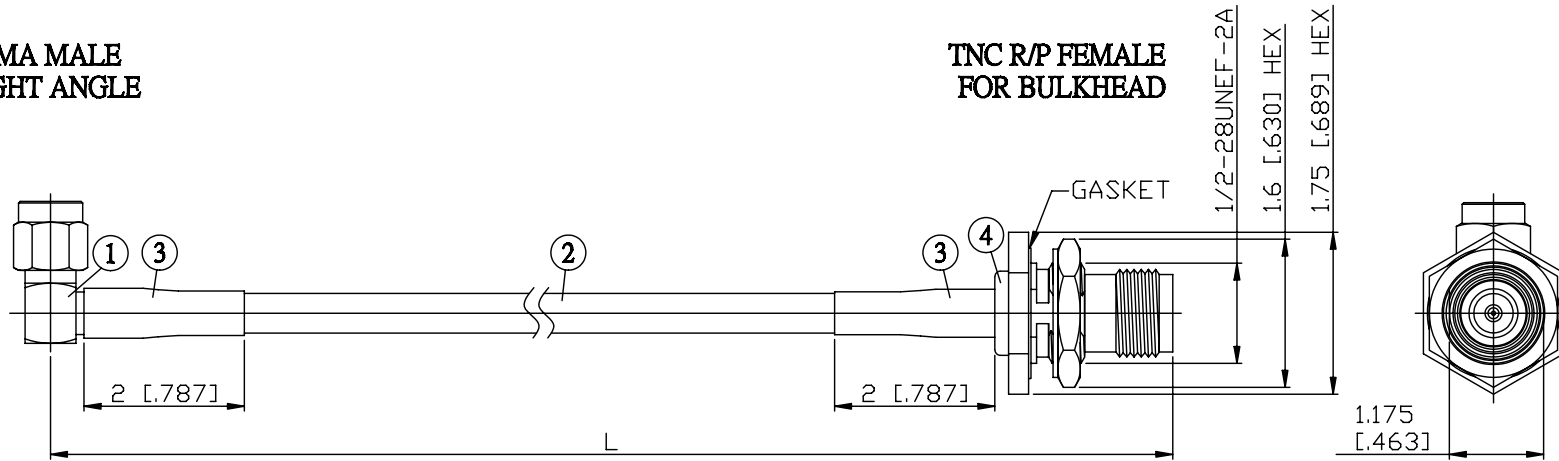


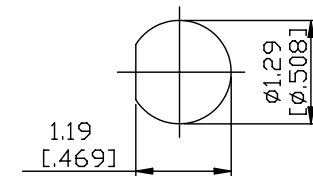
NO.	COMPONENTS	IMPEDANCE
1	SMA MALE RIGHT ANGLE	50 OHM
2	RG58	50 OHM
3	HEAT SHRINKING TUBE	
4	TNC REVERSE POLARITY FEMALE FOR BULKHEAD	50 OHM

SMA MALE  
RIGHT ANGLE

TNC R/P FEMALE  
FOR BULKHEAD



JYE BAO P/N	L CM (INCH)
A39T95-58-15	15 (5.906)
A39T95-58-30	30 (11.811)
A39T95-58-50	50 (19.685)
A39T95-58-100	100 (39.370)
A39T95-58-150	150 (59.055)
A39T95-58-200	200 (78.740)
A39T95-58-XXX	CUSTOM LENGTH IN CM



MOUNTING HOLE

LENGTH TOLERANCE IS $\pm 1.5\%$ OR $\pm 10\text{MM}$ , WHICHEVER IS GREATER.	<b>JYE BAO CO., LTD.</b> TAIPEI TAIWAN
	DESCRIPTION CABLE ASSEMBLY SMA PLUG R/A TO TNC R/P JACK FOR BULKHEAD
	JYE BAO DRAWING NO. A39T95-58-XXX