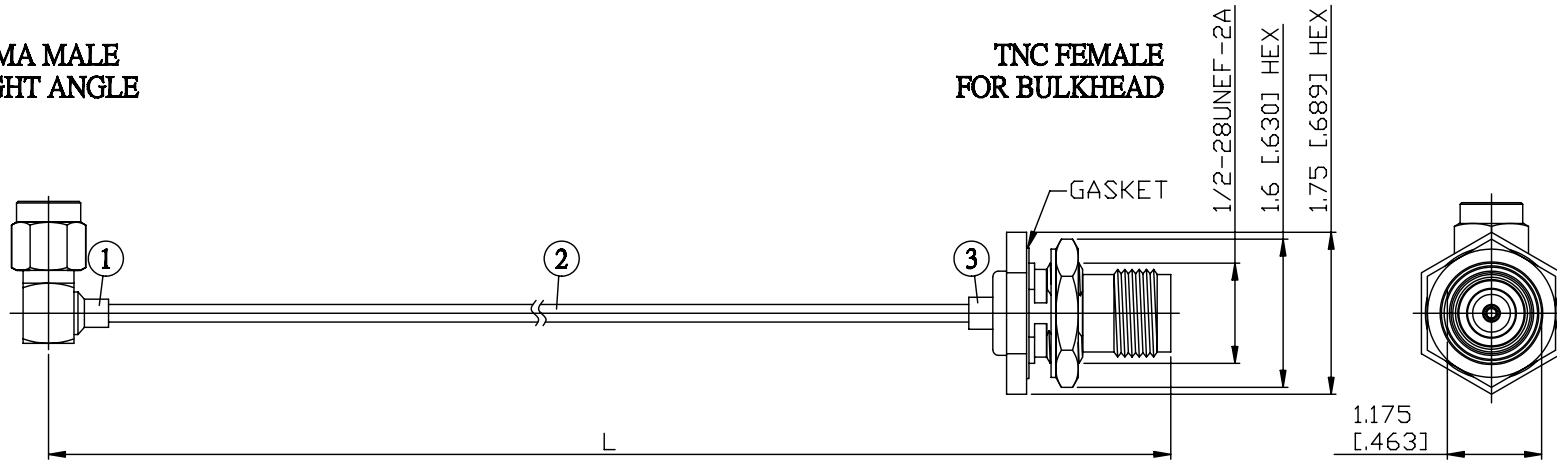


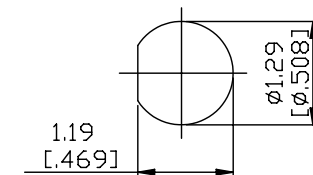
NO.	COMPONENTS	IMPEDANCE
1	SMA MALE RIGHT ANGLE	50 OHM
2	.085" TIN PLATED SEMI-RIGID CABLE (TIN PLATED RG405)	50 OHM
3	TNC FEMALE FOR BULKHEAD	50 OHM

SMA MALE
RIGHT ANGLE

TNC FEMALE
FOR BULKHEAD



JYE BAO P/N	L CM (INCH)
A39T85-85T-15	15 (5.906)
A39T85-85T-30	30 (11.811)
A39T85-85T-50	50 (19.685)
A39T85-85T-100	100 (39.370)
A39T85-85T-150	150 (59.055)
A39T85-85T-200	200 (78.740)
A39T85-85T-XXX	CUSTOM LENGTH IN CM



MOUNTING HOLE

<p>LENGTH TOLERANCE IS $\pm 1.5\%$ OR $\pm 10\text{MM}$, WHICHEVER IS GREATER.</p>	<p>JYE BAO CO., LTD.</p> <p>TAIPEI TAIWAN</p>
	<p>DESCRIPTION CABLE ASSEMBLY SMA PLUG R/A TO TNC JACK FOR BULKHEAD</p>
	<p>JYE BAO DRAWING NO. A39T85-85T-XXX</p>