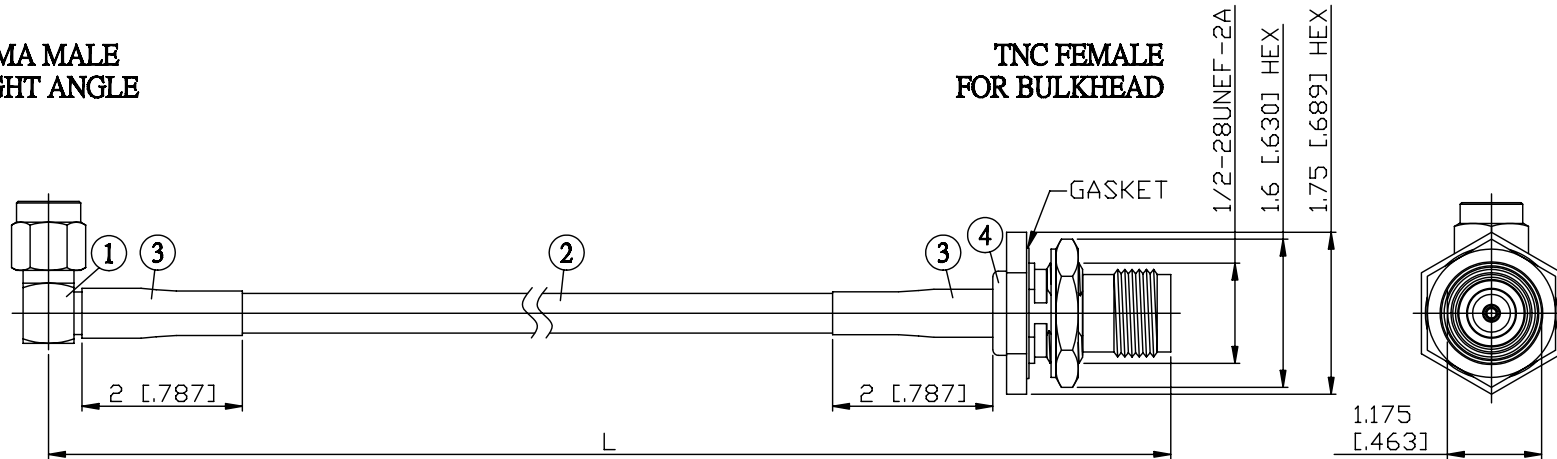


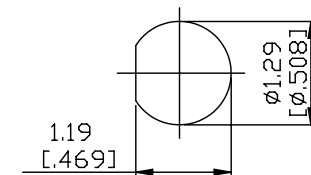
NO.	COMPONENTS	IMPEDANCE
1	SMA MALE RIGHT ANGLE	50 OHM
2	RG142	50 OHM
3	HEAT SHRINKING TUBE	
4	TNC FEMALE FOR BULKHEAD	50 OHM

SMA MALE  
RIGHT ANGLE

TNC FEMALE  
FOR BULKHEAD



JYE BAO P/N	L CM (INCH)
A39T85-142-15	15 (5.906)
A39T85-142-30	30 (11.811)
A39T85-142-50	50 (19.685)
A39T85-142-100	100 (39.370)
A39T85-142-150	150 (59.055)
A39T85-142-200	200 (78.740)
A39T85-142-XXX	CUSTOM LENGTH IN CM



MOUNTING HOLE

<p>LENGTH TOLERANCE IS <math>\pm 1.5\%</math> OR <math>\pm 10\text{MM}</math>, WHICHEVER IS GREATER.</p>	<p><b>JYE BAO CO., LTD.</b></p> <p>TAIPEI TAIWAN</p>
	<p>DESCRIPTION CABLE ASSEMBLY SMA PLUG R/A TO TNC JACK FOR BULKHEAD</p>
	<p>JYE BAO DRAWING NO. A39T85-142-XXX</p>