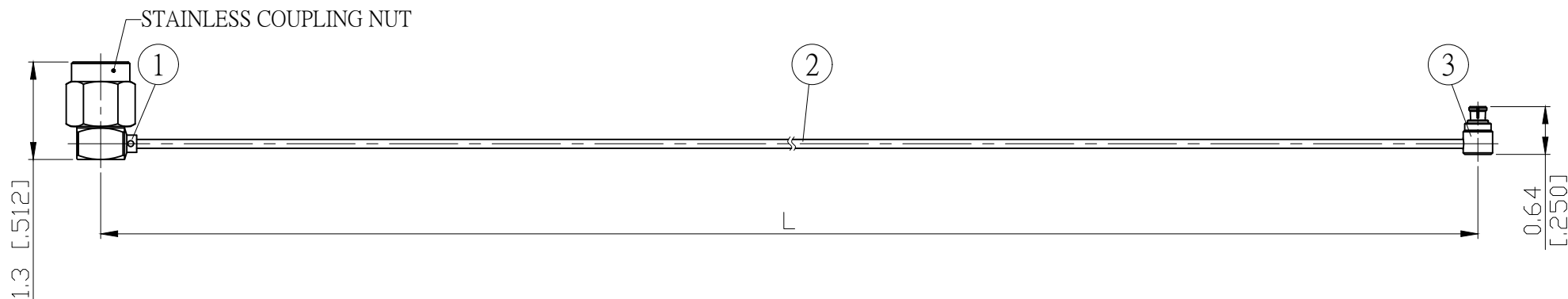


NO.	COMPONENTS	IMPEDANCE
1	SMA MALE RIGHT ANGLE	50 OHM
2	.047" TIN PLATED SEMI-RIGID CABLE	50 OHM
3	SMPM FEMALE RIGHT ANGLE	50 OHM

REVISION			
REV.	DESCRIPTION	DATE	APPROVED
-	INITIAL RELEASE	2022/04/12	

SMA MALE
RIGHT ANGLE

SMPM FEMALE
RIGHT ANGLE



JYE BAO P/N	Freq. (GHz)	Max. Return Loss	L CM (INCH)	L1 M (MM)
A39PM89-47T-18GXXX	18	-16.5dB	50 (19.685)	0.501 (501.0)
			100 (39.370)	1.001 (1001.0)
			150 (59.055)	1.501 (1501.0)
			200 (78.740)	2.001 (2001.0)
			CUSTOM LENGTH IN CM	- - -

				LENGTH TOLERANCE IS ±1.5% OR ±10MM, WHICHEVER IS GREATER.	STANDARD	REV -	UNIT CM(INCH)	JYE BAO CO., LTD. TAIPEI TAIWAN
					APPROVED	DATE		
					CHECKED	DATE		
					DRAWING	DATE		
3	SMPM8300-9047	SMPM JACK R/A	1	EA			DESCRIPTION	
2	.047TIN-W-P-50	CABLE	SEE TABLE L1	M			CABLE ASSEMBLY SMA PLUG R/A TO SMPM JACK R/A	
1	SMA33NPC-9047	SMA PLUG R/A	1	EA			JYE BAO DRAWING NO.	
NO.	PARTS NO.	DESCRIPTION	QTY	U/M			A39PM89-47T-18GXXX	

Albert