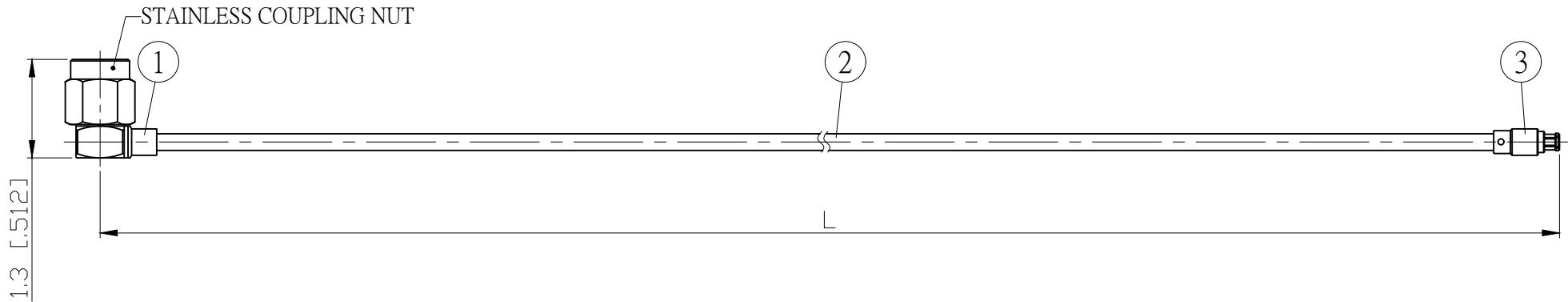


NO.	COMPONENTS	IMPEDANCE
1	SMA MALE RIGHT ANGLE	50 OHM
2	.085" HANDBENDABLE CABLE (= JYBAO P/N .085SRF-W-P-50)	50 OHM
3	SMPM FEMALE	50 OHM

REVISION			
REV.	DESCRIPTION	DATE	APPROVED
-	INITIAL RELEASE	2022/04/12	

SMA MALE  
RIGHT ANGLE

SMPM FEMALE



JYE BAO P/N	Freq. (GHz)	Max. Return Loss	L CM (INCH)	L1 M (MM)
A39PM80-85S-18GXXX	18	-16.5dB	50 (19.685)	0.496 (496.0)
			100 (39.370)	0.996 (996.0)
			150 (59.055)	1.496 (1496.0)
			200 (78.740)	1.996 (1996.0)
			CUSTOM LENGTH IN CM	- - -

				LENGTH TOLERANCE IS $\pm 1.5\%$ OR $\pm 10\text{MM}$ , WHICHEVER IS GREATER.	STANDARD	REV -	UNIT CM(INCH)	<b>JYE BAO CO., LTD.</b> TAIPEI TAIWAN
					APPROVED			
					CHECKED			DATE
					DRAWING <i>Albert</i>			DATE
3	SMPM8300-0085	SMPM JACK	1	EA	DESCRIPTION CABLE ASSEMBLY SMA PLUG R/A TO SMPM JACK JYE BAO DRAWING NO. A39PM80-85S-18GXXX			
2	.085SRF-W-P-50	CABLE	SEE TABLE L1	M				
1	SMA33NPC-9085	SMA PLUG R/A	1	EA				
NO.	PARTS NO.	DESCRIPTION	QTY	U/M				