

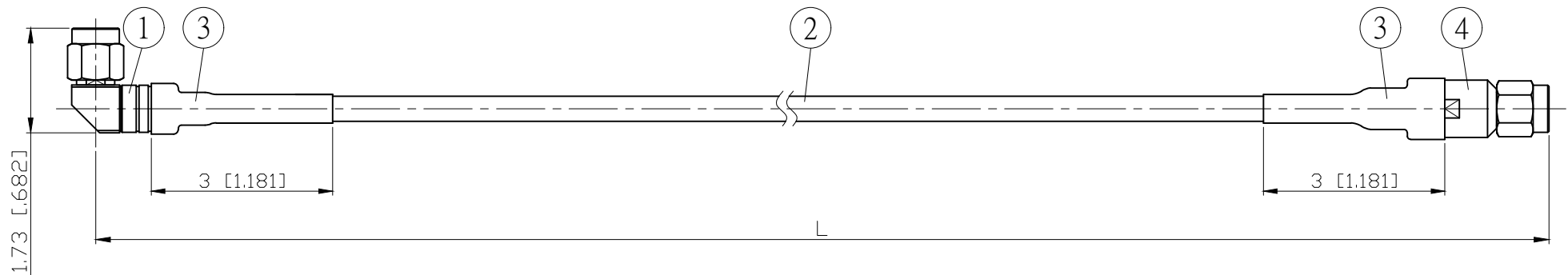
NO.	COMPONENTS	IMPEDANCE
1	SMA MALE RIGHT ANGLE	50 OHM
2	5003	50 OHM
3	HEAT SHRINKING TUBE	
4	3.5 MALE	50 OHM

REVISION			
REV.	DESCRIPTON	DATE	APPROVED
-	INITIAL RELEASE	2013/08/23	
A	增加接頭介面圖、註記	2014/01/13	
B	SMA3200S-9402=>SMA3200S-M5003	2020/07/01	

TEST LEAD WITH EXTRA STURDY CABLE / CONNECTOR CONNECTION.

SMA MALE
RIGHT ANGLE

3.5 MALE



JYE BAO P/N	Freq. (GHz)	Max. Return Loss	L CM (INCH)	L1 M (MM)
A39PC30-5003-18GXXX	18	-18dB	50 (19.685)	0.482 (481.5)
			100 (39.370)	0.982 (981.5)
			150 (59.055)	1.482 (1481.5)
			200 (78.740)	1.982 (1981.5)
			CUSTOM LENGTH IN CM	---

				STANDARD	REV B	UNIT CM(INCH)	JYE BAO CO., LTD. TAIPEI TAIWAN
				APPROVED		DATE	
				CHECKED		DATE	
				DRAWING	<i>Albert</i>	DATE	
4	PC3.5-3200S-5003	3.5 PLUG	1	EA			DESCRIPTION CABLE ASSEMBLY SMA PLUG R/A TO 3.5 PLUG JYE BAO DRAWING NO. A39PC30-5003-18GXXX
3	G5(F)-10MM-BLACK	TUBE	0.07	M			
2	5003	CABLE	SEE TABLE L1	M			
1	SMA3200S-M5003	SMA PLUG R/A	1	EA			
NO.	PARTS NO.	DESCRIPTION	Q'TY	U/M			

LENGTH TOLERANCE
IS ±1.5% OR ±10MM,
WHICHEVER IS
GREATER.