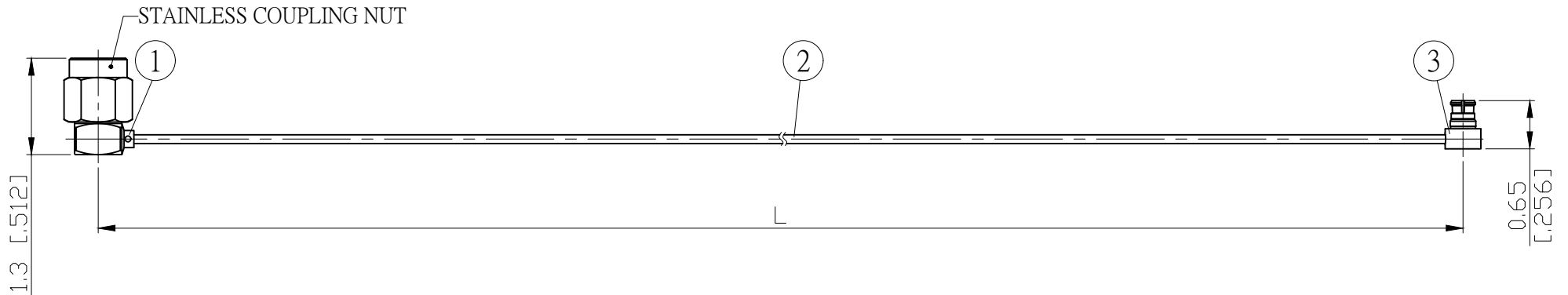


NO.	COMPONENTS	IMPEDANCE
1	SMA MALE RIGHT ANGLE	50 OHM
2	.047" TIN PLATED SEMI-RIGID CABLE	50 OHM
3	SMP FEMALE RIGHT ANGLE	50 OHM

REVISION			
REV.	DESCRIPTION	DATE	APPROVED
-	INITIAL RELEASE	2022/03/22	

SMA MALE
RIGHT ANGLE

SMP FEMALE
RIGHT ANGLE



JYE BAO P/N	Freq. (GHz)	Max. Return Loss	L CM (INCH)	L1 M (MM)
A39P89-47T-18GXXX	18	-16.5dB	50 (19.685)	0.501 (501.0)
			100 (39.370)	1.001 (1001.0)
			150 (59.055)	1.501 (1501.0)
			200 (78.740)	2.001 (2001.0)
			CUSTOM LENGTH IN CM	- - -

<table border="1"> <tr> <td>3</td> <td>SMP8300-9047</td> <td>SMP JACK R/A</td> <td>1</td> <td>EA</td> </tr> <tr> <td>2</td> <td>.047TIN-W-P-50</td> <td>CABLE</td> <td>SEE TABLE L1</td> <td>M</td> </tr> <tr> <td>1</td> <td>SMA33NPC-9047</td> <td>SMA PLUG R/A</td> <td>1</td> <td>EA</td> </tr> <tr> <td>NO.</td> <td>PARTS NO.</td> <td>DESCRIPTION</td> <td>QTY</td> <td>U/M</td> </tr> </table>					3	SMP8300-9047	SMP JACK R/A	1	EA	2	.047TIN-W-P-50	CABLE	SEE TABLE L1	M	1	SMA33NPC-9047	SMA PLUG R/A	1	EA	NO.	PARTS NO.	DESCRIPTION	QTY	U/M	STANDARD	REV -	UNIT CM(INCH)	JYE BAO CO., LTD. TAIPEI TAIWAN DESCRIPTION CABLE ASSEMBLY SMA PLUG R/A TO SMP JACK R/A JYE BAO DRAWING NO. A39P89-47T-18GXXX	
					3	SMP8300-9047	SMP JACK R/A	1	EA																				
					2	.047TIN-W-P-50	CABLE	SEE TABLE L1	M																				
					1	SMA33NPC-9047	SMA PLUG R/A	1	EA																				
NO.	PARTS NO.	DESCRIPTION	QTY	U/M																									
LENGTH TOLERANCE IS ±1.5% OR ±10MM, WHICHEVER IS GREATER.			APPROVED	DATE																									
			CHECKED	DATE																									
			DRAWING <i>Albert</i>	DATE																									