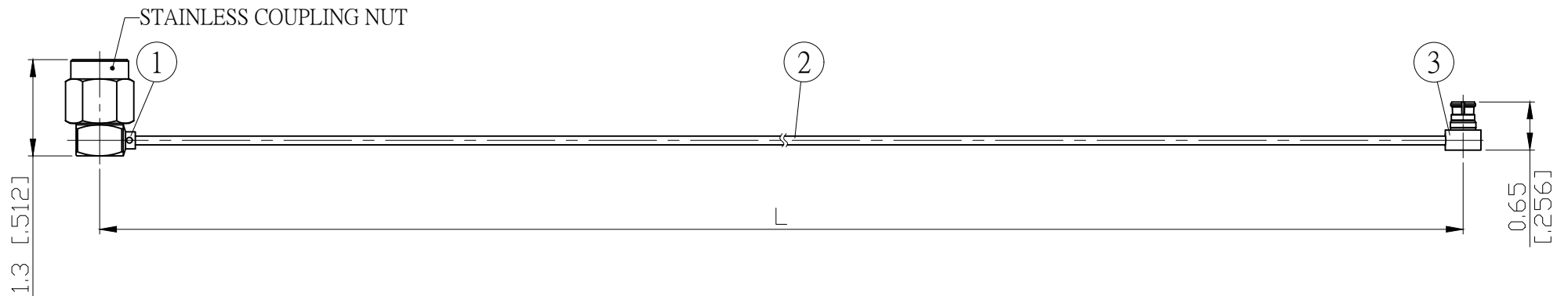


NO.	COMPONENTS	IMPEDANCE
1	SMA MALE RIGHT ANGLE	50 OHM
2	.047" HANDBENDABLE CABLE (= JYBAO P/N .047SRF-W-P-50)	50 OHM
3	SMP FEMALE RIGHT ANGLE	50 OHM

REVISION			
REV.	DESCRIPTION	DATE	APPROVED
-	INITIAL RELEASE	2022/03/22	

SMA MALE
RIGHT ANGLE

SMP FEMALE
RIGHT ANGLE



JYE BAO P/N	Freq. (GHz)	Max. Return Loss	L CM (INCH)	L1 M (MM)
A39P89-47S-18GXXX	18	-16.5dB	50 (19.685)	0.501 (501.0)
			100 (39.370)	1.001 (1001.0)
			150 (59.055)	1.501 (1501.0)
			200 (78.740)	2.001 (2001.0)
			CUSTOM LENGTH IN CM	- - -

<p>LENGTH TOLERANCE IS $\pm 1.5\%$ OR $\pm 10\text{MM}$, WHICHEVER IS GREATER.</p>					STANDARD	REV -	UNIT CM(INCH)	JYE BAO CO., LTD. TAIPEI TAIWAN	
					APPROVED				DATE
					CHECKED			DATE	DESCRIPTION CABLE ASSEMBLY SMA PLUG R/A TO SMP JACK R/A
					DRAWING <i>Albert</i>			DATE	JYE BAO DRAWING NO. A39P89-47S-18GXXX
3	SMP8300-9047	SMP JACK R/A	1	EA					
2	.047SRF-W-P-50	CABLE	SEE TABLE L1	M					
1	SMA33NPC-9047	SMA PLUG R/A	1	EA					
NO.	PARTS NO.	DESCRIPTION	QTY	U/M					