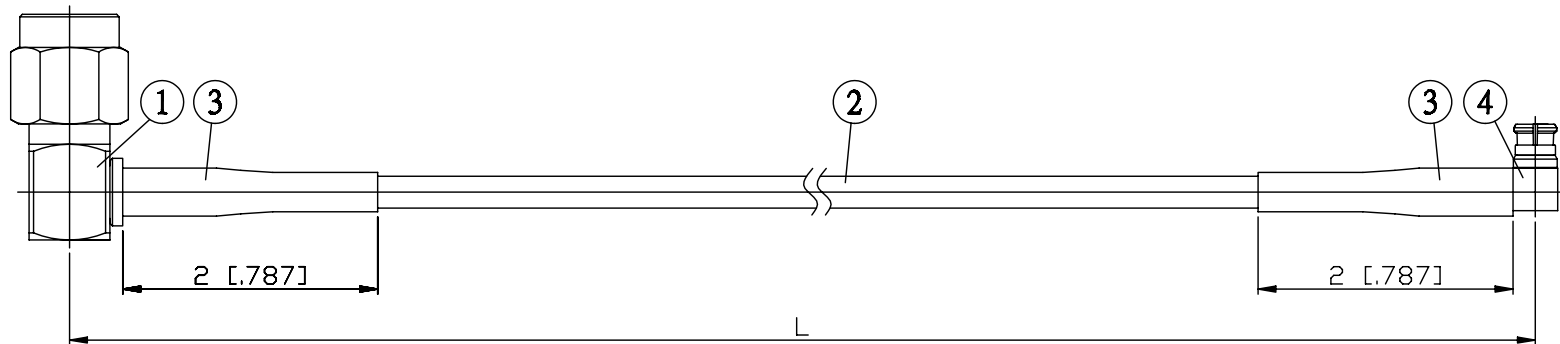


NO.	COMPONENTS	IMPEDANCE
1	SMA MALE RIGHT ANGLE	50 OHM
2	RG316	50 OHM
3	HEAT SHRINKING TUBE	
4	SMP FEMALE RIGHT ANGLE	50 OHM

SMA MALE
RIGHT ANGLE

SMP FEMALE
RIGHT ANGLE



JYE BAO P/N	L CM (INCH)
A39P89-316-15	15 (5.906)
A39P89-316-30	30 (11.811)
A39P89-316-50	50 (19.685)
A39P89-316-100	100 (39.370)
A39P89-316-150	150 (59.055)
A39P89-316-200	200 (78.740)
A39P89-316-XXX	CUSTOM LENGTH IN CM

LENGTH TOLERANCE IS $\pm 1.5\%$ OR $\pm 10\text{MM}$, WHICHEVER IS GREATER.	JYE BAO CO., LTD.
	TAIPEI TAIWAN
	DESCRIPTION CABLE ASSEMBLY SMA PLUG R/A TO SMP JACK R/A
	JYE BAO DRAWING NO. A39P89-316-XXX