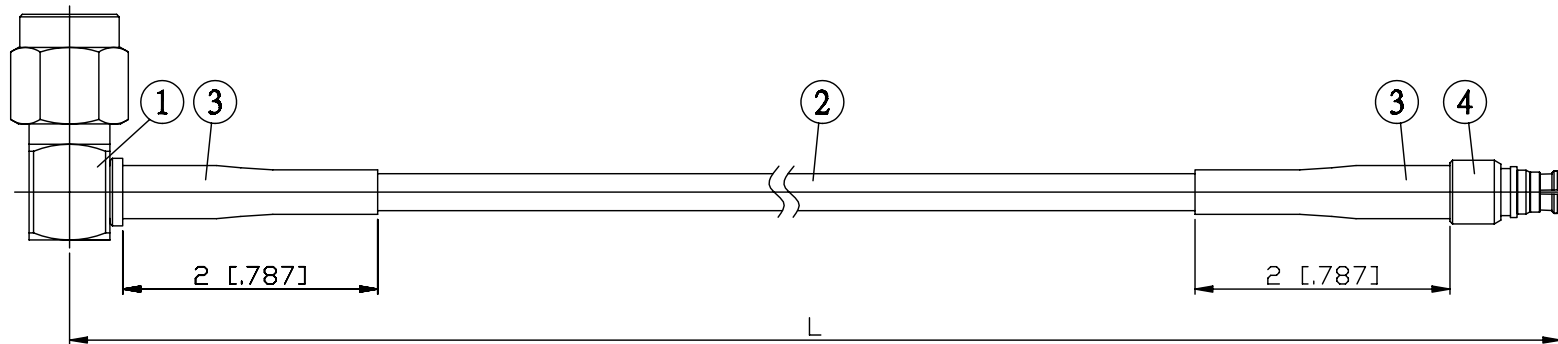


NO.	COMPONENTS	IMPEDANCE
1	SMA MALE RIGHT ANGLE	50 OHM
2	DOUBLE SHIELDED RG316(= RD316)	50 OHM
3	HEAT SHRINKING TUBE	
4	SMP FEMALE	50 OHM

SMA MALE  
RIGHT ANGLE

SMP FEMALE



JYE BAO P/N	L CM (INCH)
A39P80-316D-15	15 (5.906)
A39P80-316D-30	30 (11.811)
A39P80-316D-50	50 (19.685)
A39P80-316D-100	100 (39.370)
A39P80-316D-150	150 (59.055)
A39P80-316D-200	200 (78.740)
A39P80-316D-XXX	CUSTOM LENGTH IN CM

LENGTH TOLERANCE IS ±1.5% OR ±10MM, WHICHEVER IS GREATER.	<b>JYE BAO CO., LTD.</b> TAIPEI TAIWAN
	DESCRIPTION CABLE ASSEMBLY SMA PLUG R/A TO SMP JACK
	JYE BAO DRAWING NO. A39P80-316D-XXX