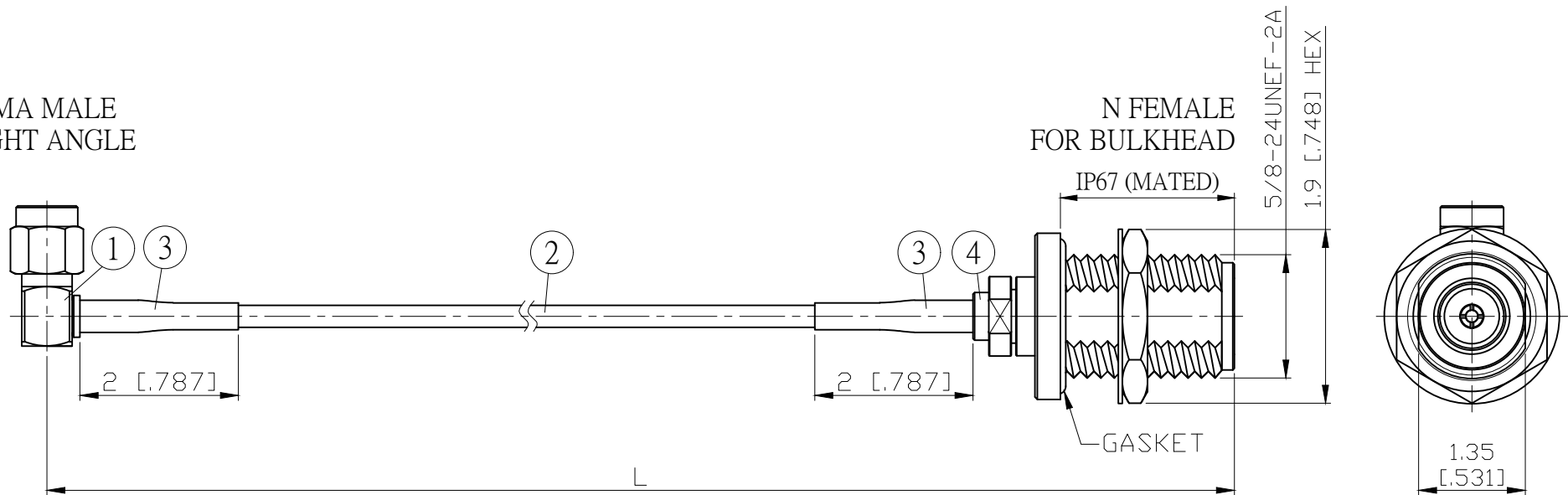


NO.	COMPONENTS	IMPEDANCE
1	SMA MALE RIGHT ANGLE	50 OHM
2	JBY100	50 OHM
3	HEAT SHRINKING TUBE	
4	N FEMALE FOR BULKHEAD	50 OHM

REVISION			
REV.	DESCRIPTION	DATE	APPROVED
-	INITIAL RELEASE	2011/03/15	

SMA MALE
RIGHT ANGLE

N FEMALE
FOR BULKHEAD



JYE BAO P/N	L CM (INCH)	L1 FT (MM)
A39N85-L100-15	15 (5.906)	0.438 (133.5)
A39N85-L100-30	30 (11.811)	0.930 (283.5)
A39N85-L100-50	50 (19.685)	1.586 (483.5)
A39N85-L100-100	100 (39.370)	3.227 (983.5)
A39N85-L100-150	150 (59.055)	4.867 (1483.5)
A39N85-L100-200	200 (78.740)	6.508 (1983.5)
A39N85-L100-XXX	CUSTOM LENGTH IN CM	- - -

MOUNTING HOLE

				DIMENSION ARE MILLIMETERS UNLESS OTHERWISE SPECIFIED TOLERANCES (UNIT: MM)		STANDARD		REV -	UNIT CM(INCH)	JYE BAO CO., LTD.	
4	N8105P-L100	N JACK	1	EA	LENGTH TOLERANCE IS ±1.5% OR ±10MM, WHICHEVER IS GREATER.	APPROVED		DATE	TAIPEI TAIWAN		
3	G5(F)-4.0MM-BLACK	TUBE	0.04	M		CHECKED		DATE	DESCRIPTION CABLE ASSEMBLY SMA PLUG R/A TO N JACK FOR BULKHEAD		
2	JBY100	CABLE	L1 (SEE TABLE)	FT		DRAWING		DATE	JYE BAO DRAWING NO.		
1	SMA3100-9L100	SMA PLUG R/A	1	EA		Albert		DATE	A39N85-L100-XXX		
NO.	PARTS NO.	DESCRIPTION	QTY	U/M							