

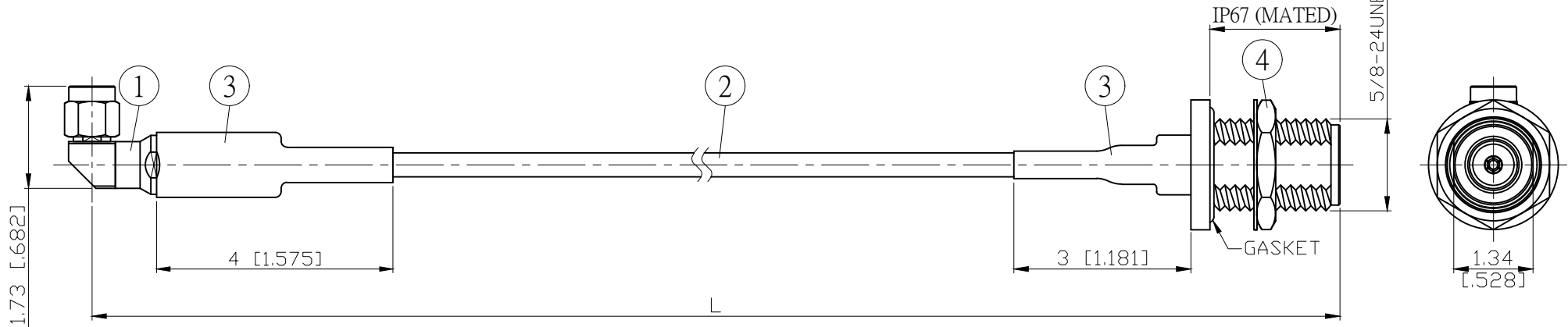
NO.	COMPONENTS	IMPEDANCE
1	SMA MALE RIGHT ANGLE	50 OHM
2	5004	50 OHM
3	HEAT SHRINKING TUBE	
4	N FEMALE FOR BULKHEAD	50 OHM

REVISION			
REV.	DESCRIPTION	DATE	APPROVED
-	INITIAL RELEASE	2013/08/23	
A	增加接頭介面圖、註記	2014/01/13	
B	SMA3200S-9L160=>SMA3200S-M5004	2020/07/01	

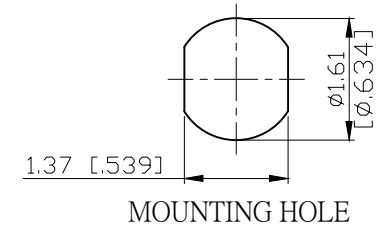
TEST LEAD WITH EXTRA STURDY CABLE / CONNECTOR CONNECTION.

SMA MALE
RIGHT ANGLE

N FEMALE
FOR BULKHEAD



JYE BAO P/N	Freq. (GHz)	Max. Return Loss	L CM (INCH)	L1 M (MM)
A39N85-5004-18GXXX	18	-16.5dB	50 (19.685)	0.471 (470.5)
			100 (39.370)	0.971 (970.5)
			150 (59.055)	1.471 (1470.5)
			200 (78.740)	1.972 (1970.5)
			CUSTOM LENGTH IN CM	- - -



					STANDARD	REV B	UNIT CM(INCH)	JYE BAO CO., LTD.	
					APPROVED			TAIPEI TAIWAN	
					CHECKED		DATE	DESCRIPTION	
					DRAWING	<i>Albert</i>	DATE	CABLE ASSEMBLY SMA PLUG R/A TO N FEMALE FOR BULKHEAD	
							DATE	JYE BAO DRAWING NO.	
4	N8205S-L160	N JACK	1	EA	LENGTH TOLERANCE IS ±1.5% OR ±10MM, WHICHEVER IS GREATER.				
3	G5(F)-10MM-BLACK	TUBE	0.07	M					
2	5004	CABLE	SEE TABLE L1	M					
1	SMA3200S-M5004	SMA PLUG R/A	1	EA					
NO.	PARTS NO.	DESCRIPTION	QTY	U/M	A39N85-5004-18GXXX				