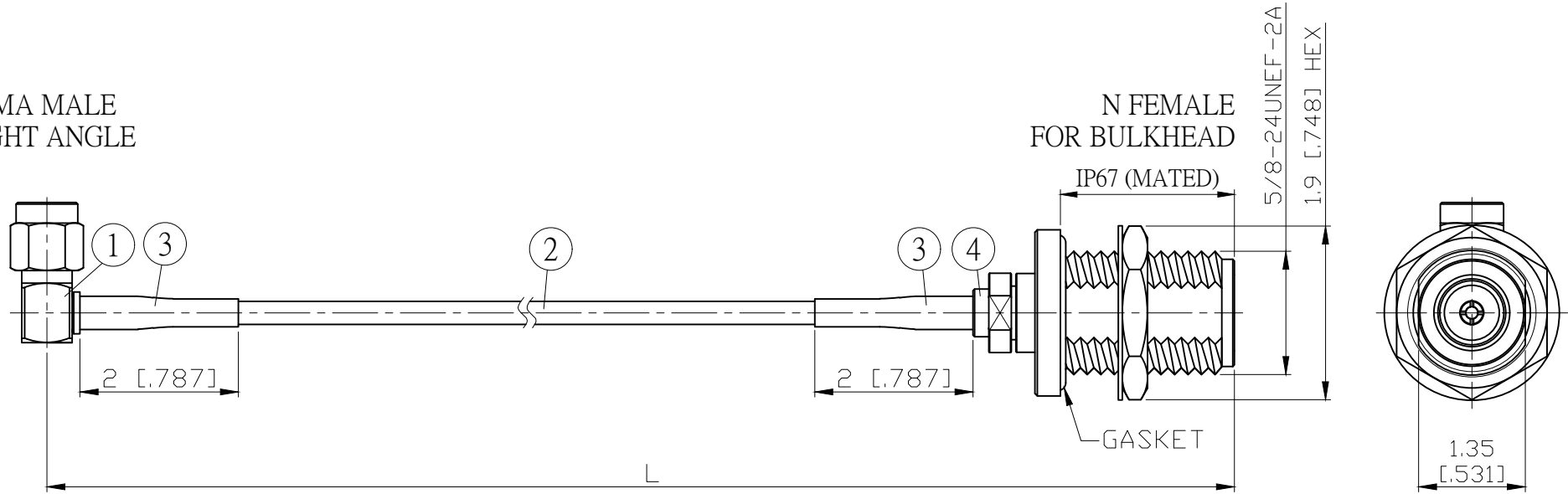


NO.	COMPONENTS	IMPEDANCE
1	SMA MALE RIGHT ANGLE	50 OHM
2	DOUBLE SHIELDED RG316(= RD316)	50 OHM
3	HEAT SHRINKING TUBE	
4	N FEMALE FOR BULKHEAD	50 OHM

REVISION			
REV.	DESCRIPTION	DATE	APPROVED
-	INITIAL RELEASE	2011/03/15	

SMA MALE  
RIGHT ANGLE

N FEMALE  
FOR BULKHEAD



JYE BAO P/N	L CM (INCH)	L1 FT (MM)
A39N85-316D-15	15 (5.906)	0.438 (133.5)
A39N85-316D-30	30 (11.811)	0.930 (283.5)
A39N85-316D-50	50 (19.685)	1.586 (483.5)
A39N85-316D-100	100 (39.370)	3.227 (983.5)
A39N85-316D-150	150 (59.055)	4.867 (1483.5)
A39N85-316D-200	200 (78.740)	6.508 (1983.5)
A39N85-316D-XXX	CUSTOM LENGTH IN CM	- - -

MOUNTING HOLE

DIMENSION ARE MILLIMETERS UNLESS OTHERWISE SPECIFIED TOLERANCES ( UNIT: MM )					STANDARD	REV -	UNIT CM(INCH)	<b>JYE BAO CO., LTD.</b>	
4	N8105PD-0316	N JACK	1	EA	APPROVED			DATE	TAIPEI TAIWAN
3	G5(F)-4.0MM-BLACK	TUBE	0.04	M	CHECKED			DATE	
2	RD316	CABLE	L1 (SEE TABLE)	FT	DRAWING			DATE	DESCRIPTION CABLE ASSEMBLY SMA PLUG R/A TO N JACK FOR BULKHEAD
1	SMA3100D-9316	SMA PLUG R/A	1	EA				DATE	JYE BAO DRAWING NO. A39N85-316D-XXX
NO.	PARTS NO.	DESCRIPTION	QTY	U/M		Albert			

LENGTH TOLERANCE  
IS ±1.5% OR ±10MM,  
WHICHEVER IS  
GREATER.