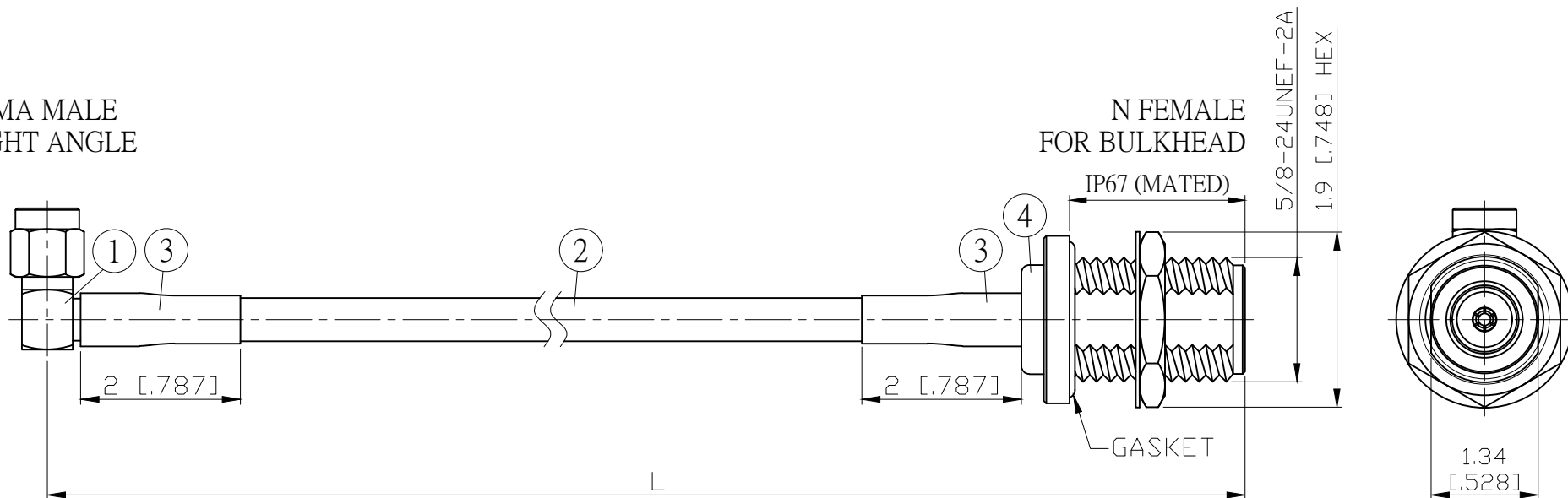


NO.	COMPONENTS	IMPEDANCE
1	SMA MALE RIGHT ANGLE	50 OHM
2	RG223	50 OHM
3	HEAT SHRINKING TUBE	
4	N FEMALE FOR BULKHEAD	50 OHM

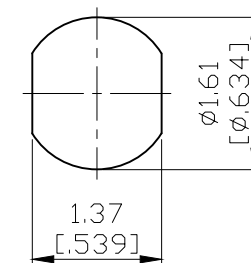
REVISION			
REV.	DESCRIPTION	DATE	APPROVED
-	INITIAL RELEASE	2011/03/15	

SMA MALE
RIGHT ANGLE

N FEMALE
FOR BULKHEAD



JYE BAO P/N	L CM (INCH)	L1 FT (MM)
A39N85-223-15	15 (5.906)	0.430 (131.0)
A39N85-223-30	30 (11.811)	0.922 (281.0)
A39N85-223-50	50 (19.685)	1.578 (481.0)
A39N85-223-100	100 (39.370)	3.219 (981.0)
A39N85-223-150	150 (59.055)	4.859 (1481.0)
A39N85-223-200	200 (78.740)	6.499 (1981.0)
A39N85-223-XXX	CUSTOM LENGTH IN CM	- - -



MOUNTING HOLE

				DIMENSION ARE MILLIMETERS UNLESS OTHERWISE SPECIFIED TOLERANCES (UNIT: MM)		STANDARD		REV -	UNIT CM(INCH)	JYE BAO CO., LTD.	
4	N8105-0223	N JACK	1	EA	LENGTH TOLERANCE IS ±1.5% OR ±10MM, WHICHEVER IS GREATER.	APPROVED	DATE			TAIPEI TAIWAN	
3	G5(F)-8.0MM-BLACK	TUBE	0.04	M		CHECKED	DATE			DESCRIPTION CABLE ASSEMBLY SMA PLUG R/A TO N JACK FOR BULKHEAD	
2	RG223	CABLE	L1 (SEE TABLE)	FT		DRAWING	DATE			JYE BAO DRAWING NO.	
1	SMA3100-9223	SMA PLUG R/A	1	EA		Albert	DATE			A39N85-223-XXX	
NO.	PARTS NO.	DESCRIPTION	QTY	U/M							