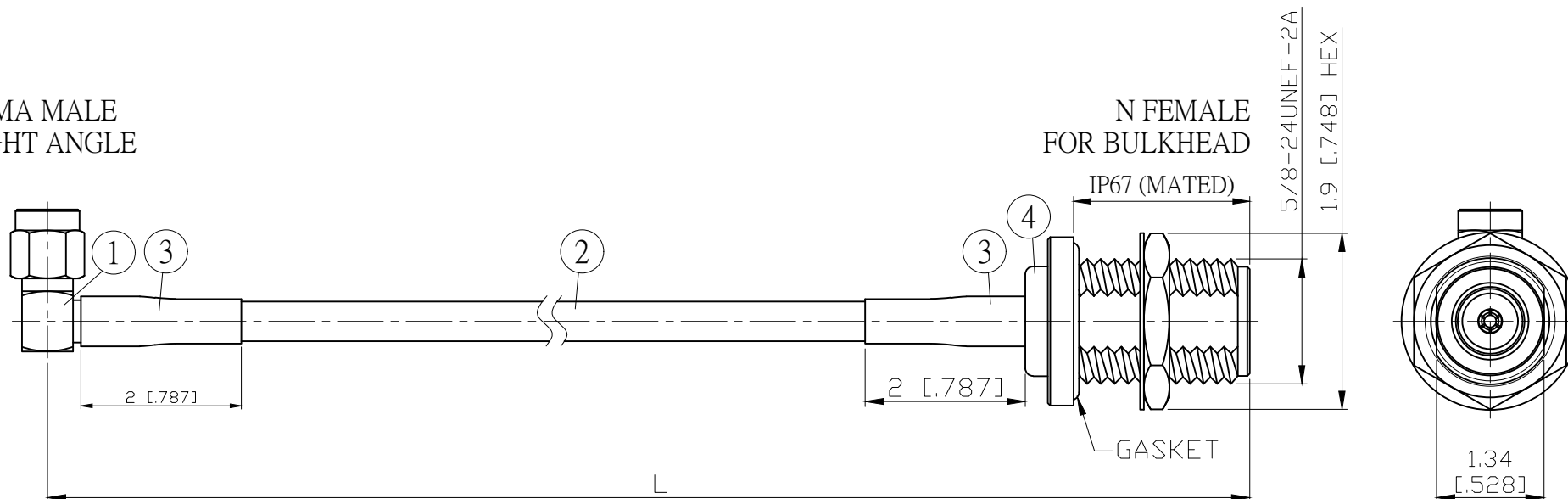


NO.	COMPONENTS	IMPEDANCE
1	SMA MALE RIGHT ANGLE	50 OHM
2	RG142	50 OHM
3	HEAT SHRINKING TUBE	
4	N FEMALE FOR BULKHEAD	50 OHM

REVISION			
REV.	DESCRIPTION	DATE	APPROVED
-	INITIAL RELEASE	2011/03/15	

SMA MALE
RIGHT ANGLE



JYE BAO P/N	L CM (INCH)	L1 FT (MM)
A39N85-142-15	15 (5.906)	0.430 (131.0)
A39N85-142-30	30 (11.811)	0.922 (281.0)
A39N85-142-50	50 (19.685)	1.578 (481.0)
A39N85-142-100	100 (39.370)	3.219 (981.0)
A39N85-142-150	150 (59.055)	4.859 (1481.0)
A39N85-142-200	200 (78.740)	6.499 (1981.0)
A39N85-142-XXX	CUSTOM LENGTH IN CM	- - -

MOUNTING HOLE

DIMENSION ARE MILLIMETERS UNLESS OTHERWISE SPECIFIED TOLERANCES (UNIT: MM)				STANDARD	REV -	UNIT CM(INCH)	JYE BAO CO., LTD.	
4	N8105-0142	N JACK	1	EA	APPROVED	DATE	TAIPEI TAIWAN	
3	G5(F)-8.0MM-BLACK	TUBE	0.04	M	CHECKED	DATE	DESCRIPTION	CABLE ASSEMBLY SMA PLUG R/A TO N JACK FOR BULKHEAD
2	RG142	CABLE	L1 (SEE TABLE)	FT	DRAWING	DATE	JYE BAO DRAWING NO.	A39N85-142-XXX
1	SMA3100-9142	SMA PLUG R/A	1	EA	Albert	DATE		
NO.	PARTS NO.	DESCRIPTION	QTY	UM				

LENGTH TOLERANCE
IS ±1.5% OR ±10MM,
WHICHEVER IS
GREATER.