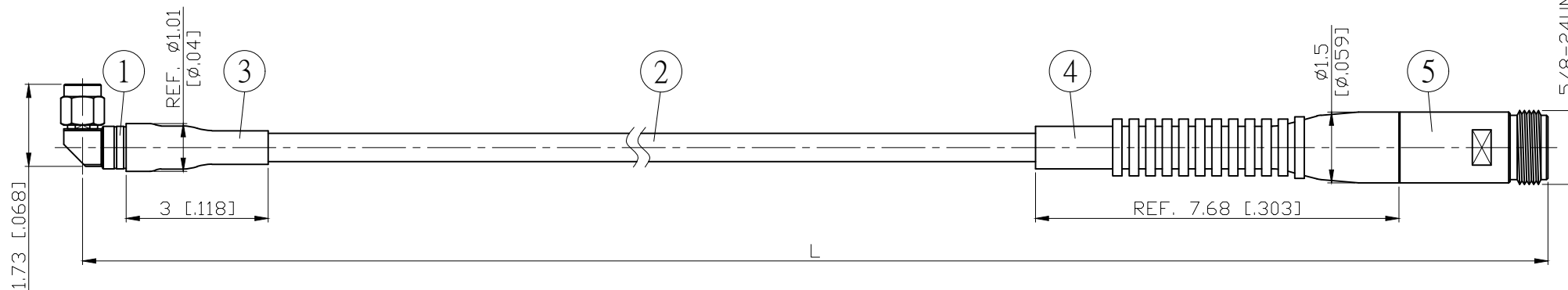


| NO. | COMPONENTS | IMPEDANCE |
|-----|----------------------|-----------|
| 1 | SMA MALE RIGHT ANGLE | 50 OHM |
| 2 | 6003A | 50 OHM |
| 3 | HEAT SHRINKING TUBE | |
| 4 | SLEEVE | |
| 5 | N FEMALE | 50 OHM |

| REVISION | | | |
|----------|-----------------|------------|----------|
| REV. | DESCRIPTON | DATE | APPROVED |
| - | INITIAL RELEASE | 2021/01/15 | |

SMA MALE
RIGHT ANGLE

N FEMALE



| L CM (INCH) | L1 M (MM) |
|------------------------|----------------|
| 50 (19.685) | 0.472 (471.5) |
| 100 (39.370) | 0.972 (971.5) |
| 150 (59.055) | 1.472 (1471.5) |
| 200 (78.740) | 1.972 (1971.5) |
| Custom length in CM | - - - |

| Spec | Phase stability vs bending ⁽¹⁾ | Amplitude stability vs bending ⁽²⁾ | Max VSWR | Max IL | Flexure life cycle ⁽³⁾ |
|---------|--|--|----------|----------------------------|-----------------------------------|
| 3GHz | ±0.5° typ / ±1.0° max | ±0.005dB typ / ±0.01dB max | 1.12 : 1 | ≤ (0.0075dB/cm*Lcm)+0.15dB | ≥ 20000 |
| 6GHz | ±0.75° typ / ±1.5° max | ±0.0075dB typ / ±0.015dB max | 1.15 : 1 | ≤ (0.0115dB/cm*Lcm)+0.20dB | |
| 12.4GHz | ±1.0° typ / ±2.0° max | ±0.01dB typ / ±0.02dB max | 1.20 : 1 | ≤ (0.0185dB/cm*Lcm)+0.25dB | |
| 18GHz | ±1.5° typ / ±3.0° max | ±0.015dB typ / ±0.03dB max | 1.25 : 1 | ≤ (0.0230dB/cm*Lcm)+0.30dB | |

Notes:

- Operating Temp.: -40°C / +85°C
- Static bend radius 18mm
- Dynamic bend radius 60mm
- RoHS Compliant

- Per IEC 60966-1, section 8.6, method 1
- Per IEC 60966-1, section 8.4
- Per IEC 60966-1, section 9.3

| NO. | PARTS NO. | DESCRIPTION | Q'TY | U/M | STANDARD | REV | UNIT CM(INCH) | JYE BAO CO., LTD. |
|---|------------------|--------------|--------------|-----|---------------|-----|------------------|---------------------------------------|
| 5 | N8200S-6003 | N JACK | 1 | EA | APPROVED | - | DATE | TAIPEI TAIWAN |
| 4 | 600-SLEEVE | SLEEVE | 1 | EA | | | | |
| 3 | G5(F)-12MM-BLACK | TUBE | 0.03 | M | | | | |
| 2 | 6003A | CABLE | SEE TABLE L1 | M | | | | |
| 1 | SMA3200S-M6003 | SMA PLUG R/A | 1 | EA | | | | |
| LENGTH TOLERANCE IS ±1.5% OR ±10MM, WHICHEVER IS GREATER. | | | | | DRAWING | | | DESCRIPTION |
| | | | | | <i>Albert</i> | | | CABLE ASSEMBLY SMA PLUG R/A TO N JACK |
| | | | | | | | | JYE BAO DRAWING NO. |
| | | | | | | | | A39N80-63-18GXXX |