

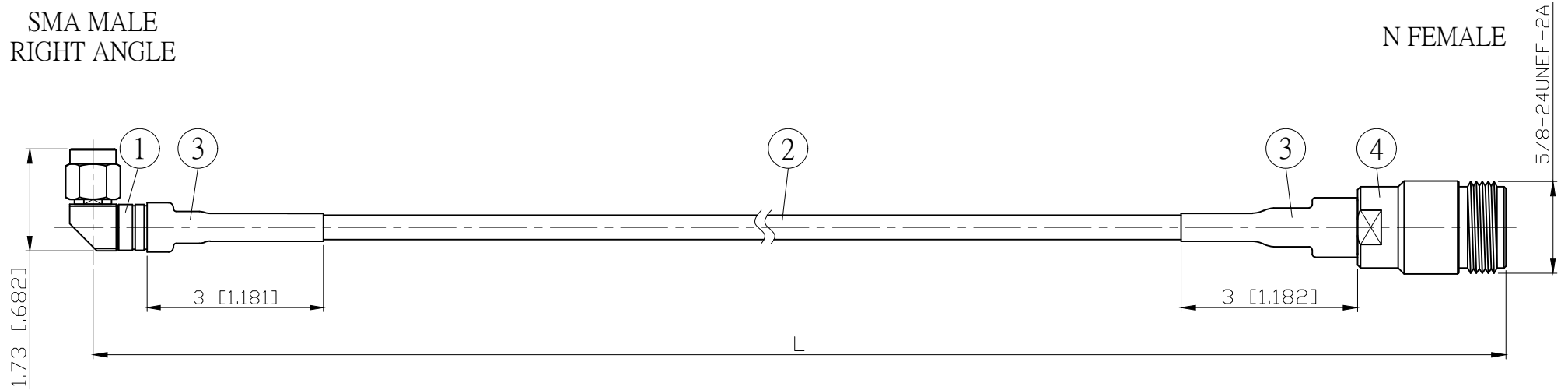
NO.	COMPONENTS	IMPEDANCE
1	SMA MALE RIGHT ANGLE	50 OHM
2	5003	50 OHM
3	HEAT SHRINKING TUBE	
4	N FEMALE	50 OHM

REVISION			
REV.	DESCRIPTON	DATE	APPROVED
-	INITIAL RELEASE	2020/07/01	

TEST LEAD WITH EXTRA STURDY CABLE / CONNECTOR CONNECTION.

SMA MALE
RIGHT ANGLE

N FEMALE



JYE BAO P/N	Freq. (GHz)	Max. Return Loss	L CM (INCH)	L1 M (MM)
A39N80-5003-18GXXX	18	-18dB	50 (19.685)	0.472 (472.0)
			100 (39.370)	0.972 (972.0)
			150 (59.055)	1.472 (1472.0)
			200 (78.740)	1.972 (1972.0)
			CUSTOM LENGTH IN CM	---

NO.	PARTS NO.	DESCRIPTION	Q'TY	U/M	LENGTH TOLERANCE IS $\pm 1.5\%$ OR $\pm 10\text{MM}$, WHICHEVER IS GREATER.	STANDARD	REV	UNIT	JYE BAO CO., LTD. TAIPEI TAIWAN	
4	N8200S-5003	N JACK	1	EA		APPROVED	-	CM(INCH)		
3	G5(F)-10MM-BLACK	TUBE	0.06	M		CHECKED			DATE	DESCRIPTION
2	5003	CABLE	SEE TABLE L1	M		DRAWING			DATE	JYE BAO DRAWING NO.
1	SMA3200S-M5003	SMA PLUG R/A	1	EA		<i>Albert</i>			DATE	A39N80-5003-18GXXX