

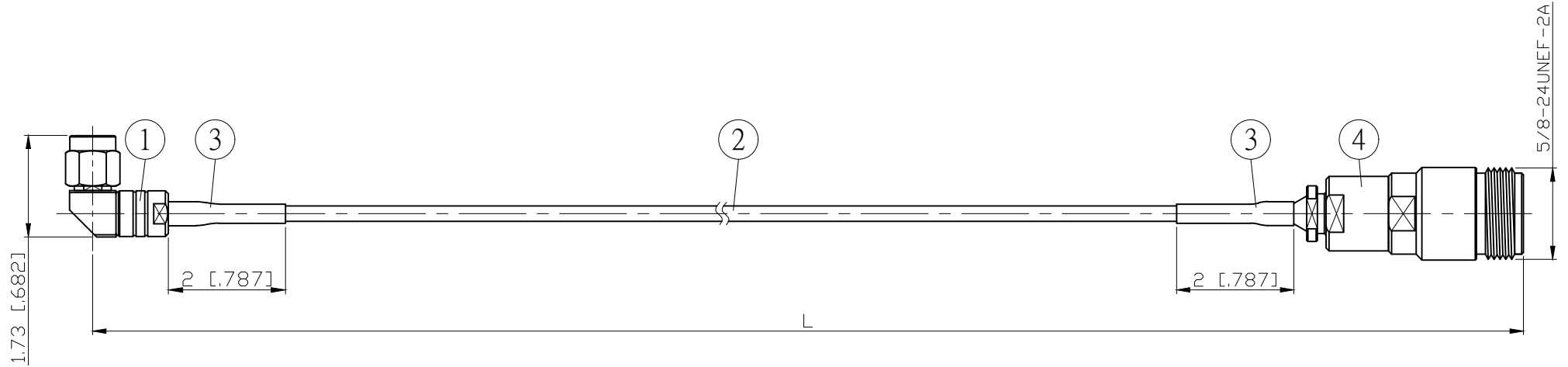
| NO. | COMPONENTS | IMPEDANCE |
|-----|----------------------|-----------|
| 1 | SMA MALE RIGHT ANGLE | 50 OHM |
| 2 | 5002 | 50 OHM |
| 3 | HEAT SHRINKING TUBE | |
| 4 | N FEMALE | 50 OHM |

| REVISION | | | |
|----------|-----------------|------------|----------|
| REV. | DESCRIPTION | DATE | APPROVED |
| - | INITIAL RELEASE | 2020/12/30 | |

TEST LEAD WITH EXTRA STURDY CABLE / CONNECTOR CONNECTION.

SMA MALE
RIGHT ANGLE

N FEMALE



| L CM (INCH) | L1 M (MM) |
|------------------------|----------------|
| 50 (19.685) | 0.466 (466.0) |
| 100 (39.370) | 0.966 (966.0) |
| 150 (59.055) | 1.466 (1466.0) |
| 200 (78.740) | 1.966 (1966.0) |
| Custom length in CM | - - - |

| Spec | Phase stability vs bending ⁽¹⁾ | Amplitude stability vs bending ⁽²⁾ | Max VSWR | Max IL | Flexure life cycle ⁽³⁾ |
|---------|--|--|----------|----------------------------|-----------------------------------|
| 3GHz | ±0.3° typ / ±0.5° max | ±0.005dB typ / ±0.01dB max | 1.12 : 1 | ≤ (0.0128dB/cm*Lcm)+0.15dB | ≥ 10000 |
| 6GHz | ±0.5° typ / ±0.75° max | ±0.0075dB typ / ±0.015dB max | 1.15 : 1 | ≤ (0.0189dB/cm*Lcm)+0.20dB | |
| 12.4GHz | ±0.75° typ / ±1.0° max | ±0.010dB typ / ±0.02dB max | 1.20 : 1 | ≤ (0.0293dB/cm*Lcm)+0.25dB | |
| 18GHz | ±1.0° typ / ±1.5° max | ±0.015dB typ / ±0.03dB max | 1.25 : 1 | ≤ (0.0361dB/cm*Lcm)+0.30dB | |
| | | | | | |

Notes:

- Operating Temp.: -55°C / +125°C
- Static bend radius 5.1mm
- Dynamic bend radius 30mm
- RoHS Compliant

- Per IEC 60966-1, section 8.6, method 1
- Per IEC 60966-1, section 8.4
- Per IEC 60966-1, section 9.3

| | | | | | STANDARD | REV - | UNIT CM(INCH) | JYE BAO CO., LTD. | |
|-----|-------------------|--------------|--------------|-----|---|---------------|------------------|---------------------------------------|--|
| | | | | | APPROVED | | | TAIPEI TAIWAN | |
| | | | | | CHECKED | | DATE | DESCRIPTION | |
| | | | | | DRAWING | <i>Albert</i> | DATE | CABLE ASSEMBLY SMA PLUG R/A TO N JACK | |
| | | | | | | | | JYE BAO DRAWING NO. | |
| | | | | | | | | A39N80-5002-18GXXX | |
| 4 | N8200S-5002 | N JACK | 1 | EA | LENGTH TOLERANCE IS ±1.5% OR ±10MM, WHICHEVER IS GREATER. | | | | |
| 3 | G5(F)-4.0MM-BLACK | TUBE | 0.04 | M | | | | | |
| 2 | 5002 | CABLE | SEE TABLE L1 | M | | | | | |
| 1 | SMA3200S-M5002 | SMA PLUG R/A | 1 | EA | | | | | |
| NO. | PARTS NO. | DESCRIPTION | Q'TY | U/M | | | | | |