

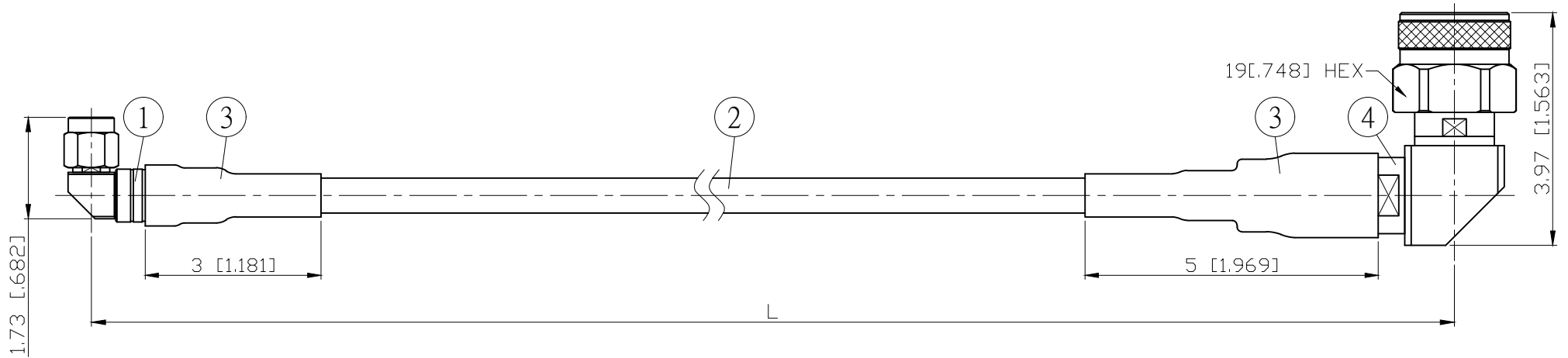
NO.	COMPONENTS	IMPEDANCE
1	SMA MALE RIGHT ANGLE	50 OHM
2	5007	50 OHM
3	HEAT SHRINKING TUBE	
4	N MALE RIGHT ANGLE	50 OHM

REVISION			
REV.	DESCRIPTION	DATE	APPROVED
-	INITIAL RELEASE	2018/01/09	
A	REVISE COMPONENTS	2018/03/16	
B	REVISE TUBE	2020/08/10	

**TEST LEAD WITH EXTRA STURDY
CABLE / CONNECTOR CONNECTION.**

SMA MALE
RIGHT ANGLE

N MALE
RIGHT ANGLE



JYE BAO P/N	Freq. (GHz)	Max. Return Loss	L CM (INCH)
A39N39-5007-18GXXX	18	-16.5dB	50 (19.685)
			100 (39.370)
			150 (59.055)
			200 (78.740)
			CUSTOM LENGTH IN CM

LENGTH TOLERANCE
IS $\pm 1.5\%$ OR $\pm 10\text{MM}$,
WHICHEVER IS
GREATER.

JYE BAO CO., LTD.

TAIPEI TAIWAN

DESCRIPTION

CABLE ASSEMBLY SMA PLUG R/A TO N PLUG R/A

JYE BAO DRAWING NO.

A39N39-5007-18GXXX