

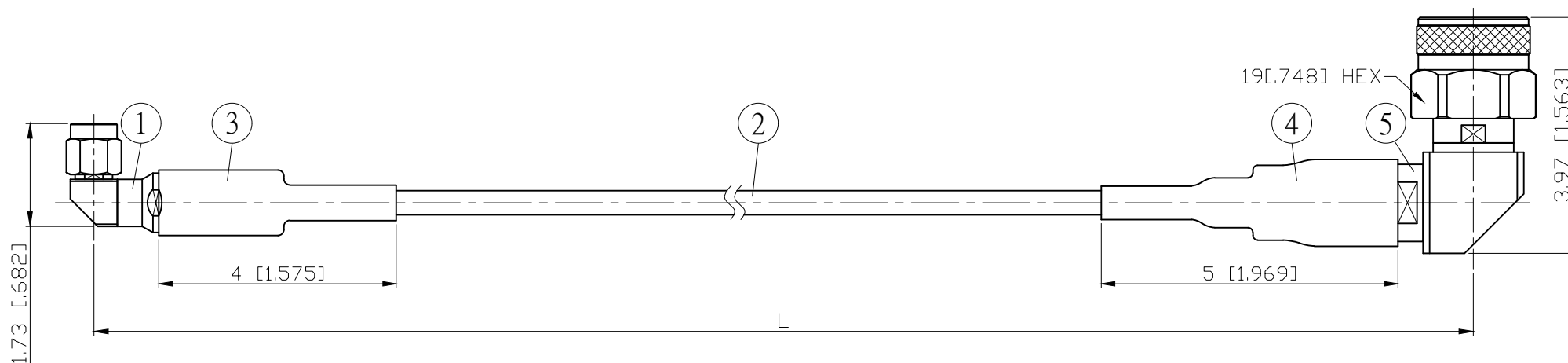
NO.	COMPONENTS	IMPEDANCE
1	SMA MALE RIGHT ANGLE	50 OHM
2	5004	50 OHM
3	HEAT SHRINKING TUBE	
4	ADHESIVE HEAT SHRINKING TUBE	
5	N MALE RIGHT ANGLE	50 OHM

REVISION			
REV.	DESCRIPTION	DATE	APPROVED
-	INITIAL RELEASE	2020/07/01	

TEST LEAD WITH EXTRA STURDY CABLE / CONNECTOR CONNECTION.

SMA MALE
RIGHT ANGLE

N MALE
RIGHT ANGLE



JYE BAO P/N	Freq. (GHz)	Max. Return Loss	L CM (INCH)	L1 M (MM)
A39N39-5004-18GXXX	18	-16.5dB	50 (19.685)	0.467 (466.5)
			100 (39.370)	0.967 (966.5)
			150 (59.055)	1.467 (1466.5)
			200 (78.740)	1.967 (1966.5)
			CUSTOM LENGTH IN CM	---

				STANDARD	REV -	UNIT CM(INCH)	JYE BAO CO., LTD. TAIPEI TAIWAN
5	N32SHS-M5004	N PLUG R/A	1	EA	APPROVED	DATE	
4	AIS-15MM-BLACK	TUBE	0.05	M	CHECKED	DATE	
3	G5(F)-10MM-BLACK	TUBE	0.04	M	DRAWING	DATE	
2	5004	CABLE	SEE TABLE L1	M	<i>Albert</i>		
1	SMA3200S-M5004	SMA PLUG R/A	1	EA			
NO.	PARTS NO.	DESCRIPTION	Q'TY	U/M	LENGTH TOLERANCE IS ±1.5% OR ±10MM, WHICHEVER IS GREATER.		